

Lampholders for General-service Incandescent

E27 lampholder

Profiled shape, external thread 40x2.5 IEC 60399

Casing: PET GF, natural, T210, nominal rating: 4/250

Push-in twin terminals: 0.5–2.5 mm²

Lateral push-fit foot for cut-out 10x20 mm

Fixing clips for wall thickness 0.4–1 mm

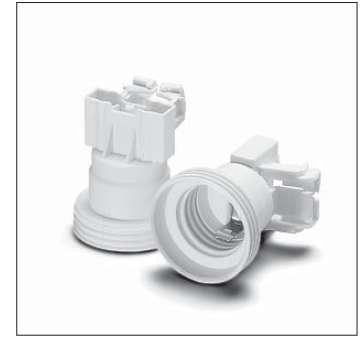
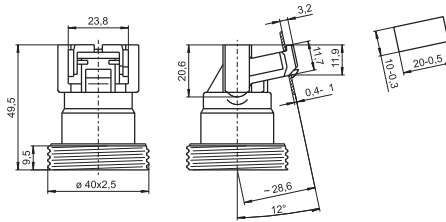
Tilt of lamp axis: 12°

For cover cap 504615 (see below)

Weight: 14.7 g, unit: 500 pcs.

Type: 64741

Ref. No.: 108758



1

2

3

4

Cover Caps

For E27 thermoplastic lampholders, one-piece and for B22d thermoplastic lampholders

Cover cap for lampholder 108758 (see above)

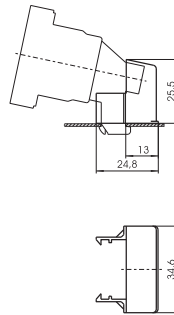
For luminaires of protection class II

Material: PA GF, white

Weight: 2.7 g, unit: 500 pcs.

Type: 97321

Ref. No.: 504615



5

6

Protection caps for E27 lampholders with bracket with earth connection 400772 (s. p. 309)

For lampholder type 64770/64785 (s. p. 290)

For luminaires of protection class II

Material: PA GF, natural

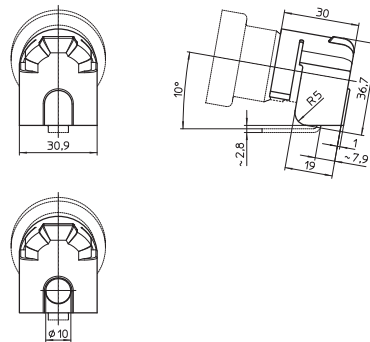
Weight: 4.8 g, unit: 500 pcs.

Type: 97497

Ref. No.: 526886

Type: 97498 fixing hole: Ø 10 mm

Ref. No.: 529464



7

8

Cover caps

Material: PA GF

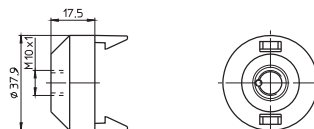
Female nipple: M10x1

Weight: 9.6/9.9 g, unit: 500 pcs.

Type: 85070

Ref. No.: 109077 white

Ref. No.: 109092 black



9

10