

BS100 LED Regolabile



BS100 LED REG HV L1580 4K

Beghelli Code: 40005H

SYSTEM:RD



Description: Lighting
EAN: 8002219889232

ELECTRICAL AND LIGHTING TECHNICAL CHARACTERISTIC

EQUIVALENT POWER: 2x58w
SUPPLY VOLTAGE TYPE: AC
NOMINAL VOLTAGE AC: 230 V
VOLTAGE SUPPLY RANGE AC: 207 V+253 V
FREQUENCY SUPPLY RANGE: 50 Hz+60 Hz
POWER FACTOR (Cos ϕ): 0.98
ABSORBED POWER: 63 / 53 / 44 / 35 W
FLUX: 10000 / 8500 / 7500 / 6000 lm
EFFICIENCY: 159 / 160 / 170 / 171 lm/W
Ta: -20 °C+40 °C
INSULATION CLASS: I
CRI: 80
CCT: 4000 K
COLOR CONSISTENCY (SDCM): SDCM3
LUMINOUS FLUX MAINTENANCE L80/B20: 60000 h
LED NUMBER: 240
DRIVER TYPE: For constant current LED
DRIVER LIFE MTBF: 60000 h
DIMMER TYPE: RD
INRUSH: 13.5 A,0.17 ms
QUANTITY BREAKER: B10 25 , B16 40
QUANTITY BREAKER: C10 25 , C16 40
THD: 20 _
PHOTOBIOLOGICAL RISK: RG0

MOUNTING AND APPLICATIONS

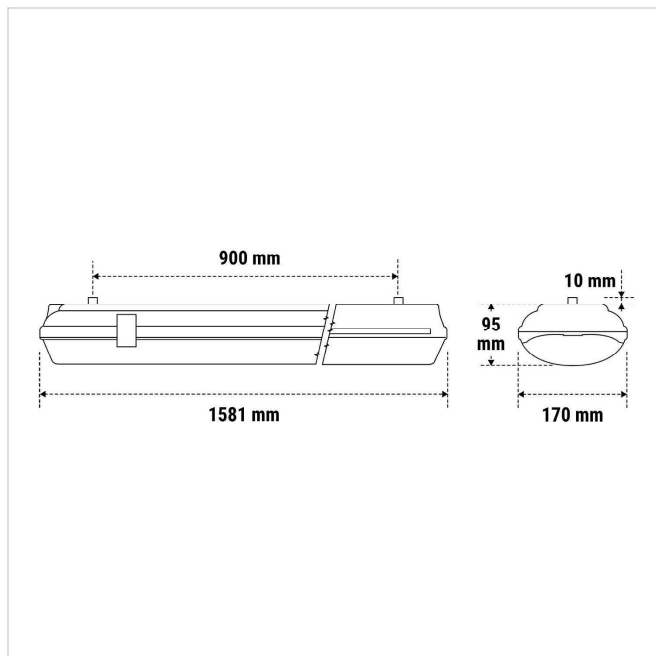
MOUNTING: Wall / Ceiling / Suspension / Electrified rail
ENVIRONMENT: Indoor/Outdoor
APPLICATION: Industrial Areas / Production / Warehouses
HACCP: y

MECHANICAL CHARACTERISTICS

Dimension: Height: 95 mm **Length:** 1580 mm **Width:** 170 mm
PRODUCT WEIGHT: 2,7 kg
BODY MATERIAL: Polycarbonate **COLOUR:** Grey RAL 7035
COVER / DIFFUSER MATERIAL: Transparent Photoengraved Polycarbonate **FINITURE:** Opale
REFLECTOR MATERIAL: Sheet steel **COLOUR:** White
PROTECTION DEGREE: IP65
MECHANICAL IMPACTS PROTECTION DEGREE: IK05
GLOW WIRE: 850° - 30s.
QUANTITY PER BOX SINGLE/MULTIPLE/DELIVERY: 1//

CERTIFICATES AND STANDARDS

STANDARDS: CEI EN 60598-2-1, CEI EN 60598-1, EN 62471, 2009/125/CE, 874/2012/CE, 2014/30/EU, 2014/35/EU



BS100 LED Regolabile



BS100 LED REG HV L1580 4K

SYSTEM:RD

Beghelli Code: **40005H**

