



Logica LED

LOG LED LGFM 8WSA 2/4/6N 750LM

IP65 watertight emergency luminaire with quick fastening bracket.

Control system CT

Order code 12185FM

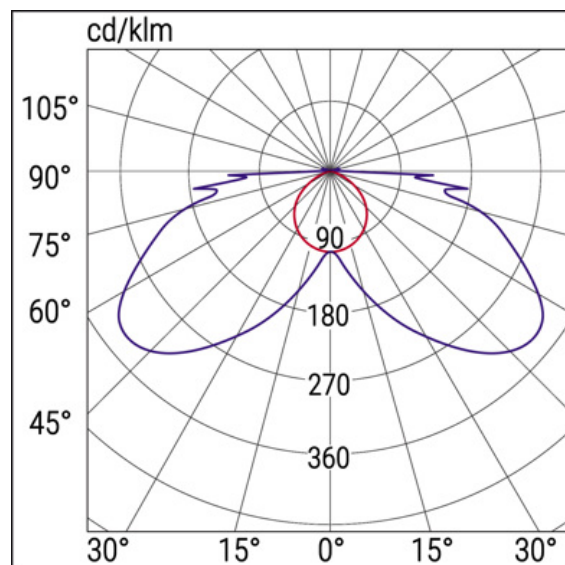
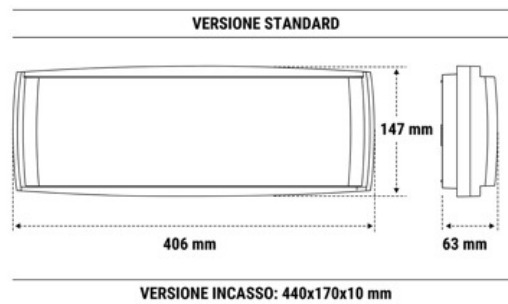
EAN 8002219504210

Technical specifications

Supply voltage type	AC
Nominal voltage (AC)	230 Vac
Absorbed SE (max)	9 W
Control system	CT
Autonomy	2h, 4h, 6h
Battery included	Yes
Battery type	NiMH
Battery	NiMH 7.2V 2.5Ah
Charging time	24 h
Autonomy test time	60 min
Autonomy test frequency	182 days
Test frequency	28 days
Ambient temperature (min)	0 °C
Ambient temperature (max)	40 °C
Insulation class	II
CCT light tone	5000 K
LED number	30
Photobiological risk	RG0
CRI color rendering	>80
Operation mode	NM/M
Equivalent power	8W
Flux SA	400 lm
Flux SE	750 lm, 450 lm, 350 lm
Frequency (max)	60 Hz
Frequency (min)	50 Hz
Power factor	0.92
Glow wire strength	850 °C - 30s.
Mounting	Wall, Ceiling, Recessed, False Ceiling Recessed
Number of Batteries	1
Rest mode	Yes
Visibility distance	20 m
Voltage supply range (max)	253 V
Voltage supply range (min)	207 V

Installation and applications

Environment	Secondary Areas
Application	Offices, Industrial Areas, Public Areas



Mechanical specifications

Height	63 mm
Length	147 mm
Width	406 mm
Weight	2.18 Kg
Body material	Polycarbonate
Colour housing	White RAL 9003
Cover material	Transparent polycarbonate
Diffuser finiture	Clear
Reflector material	Polycarbonate
Protection grade IP	IP65
Protection grade IK	IK08

Certifications and norms

UK SI 2021 No. 1095, EN 62471:2008, EN IEC 60598-1:2021, EN 60598-2-2:2012, EN 60598-2-22:2014 + AC:2015 + AC:2016-05 + AC:2016-09 + A1:2020, EN IEC 63000:2018, EN 62493:2010, EN 61000-3-3:2013, REG. 2019/2020(EU), EN IEC 55015:2019 + A11:2020

Supplied accessories



12175
SCHERMO LOGICA LED DX



12176
SCHERMO LOGICA LED SX



12199
STAFFA PARETE LOGICA IP65



12177
SCHERMO LOGICA LED BS

Accessories



3912
GRIGLIA EM 440X215X99



12178
SCHERMO LOGICA LED UP



12179
SCAT INCASSO CORN BI
LOGICALED



12180
STAFFA CONTROSOFF BI
LOGICA LED

Spare parts



415409001
NIMH HT 7.2V 2.5AH SC PAC
530