



Multi Lens

MULTI LENS 60MM SE 3H RM

High-performance emergency lighting spotlight with three interchangeable lenses for different light beams.

Control system TR

Order code 4331

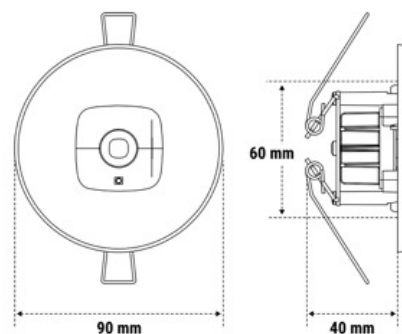
EAN 8002219717627

Technical specifications

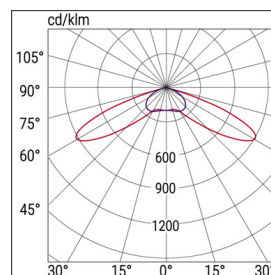
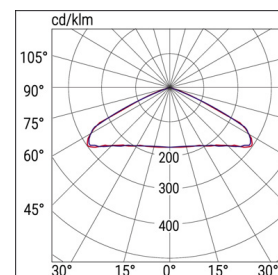
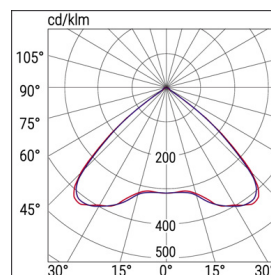
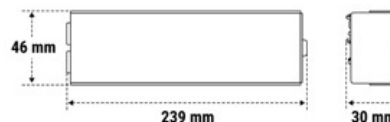
Supply voltage type	AC
Nominal voltage (AC)	230 Vac
Absorbed SE (max)	1.5 W
Control system	TR
Autonomy	3h
Battery included	Yes
Battery type	LiFe
Battery	LiFe 3.2V 1.5Ah
Charging time	12 h
Ambient temperature (min)	0 °C
Ambient temperature (max)	40 °C
Insulation class	I
CCT light tone	4000 K
Optical protection grade	IP42
LED number	1
Photobiological risk	RG0
Colour trim	White RAL 9010
CRI color rendering	>70
Diameter	90 mm
Operation mode	NM
Equivalent power	11W
Flux SE	150 lm
Frequency (max)	60 Hz
Frequency (min)	50 Hz
Power factor	0.32
Glow wire strength	850 °C - 30s.
Lens efficiency	87 %, 92 %, 85 %
Mounting	False Ceiling Recessed
Number of Batteries	1
Rest mode	Yes
Trim material	Polycarbonate
Voltage supply range (max)	253 V
Voltage supply range (min)	207 V

Installation and applications

Environment	Offices
Application	Offices, Public Areas, Shops



INVERTER



Mechanical specifications

Height	40 mm
Weight	0.4 Kg
Cutout length	60 mm
Body material	Polycarbonate
Colour housing	White RAL 9010
Lens material	PMMA transparent thermoplastic
Box protection grade	IP20
Protection grade IP	IP20/IP42
Protection grade IK	IK07

Certifications and norms

UK SI 2021 No. 1095, EN 62471:2008, EN IEC 60598-1:2021, EN 60598-2-22:2014 + AC:2015 + AC:2016-05 + AC:2016-09 + A1:2020, EN IEC 63000:2018, EN 62493:2010, EN 61000-3-3:2013, REG. 2019/2020(EU), EN IEC 55015:2019 + A11:2020, EN IEC 61000-3-2 :2019

Accessories



2730

INIBIT 973 COMANDO R.MODE

Spare parts



415436001

LI-FEPO4 3.2V 1.5AH 18650