

MICRODOT TR SA/SE IP65

Beghelli Code: **19715**

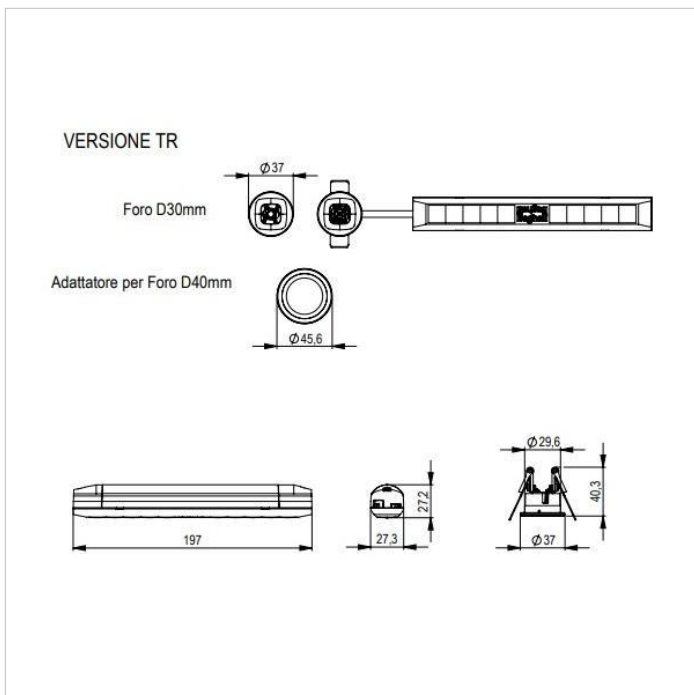
SYSTEM:TR



Description: Emergency
EAN: 8002219905345

ELECTRICAL AND LIGHTING TECHNICAL CHARACTERISTIC

LAMPHOLDER: None
SUPPLY VOLTAGE TYPE: AC
NOMINAL VOLTAGE AC: 230 V
VOLTAGE SUPPLY RANGE AC: 207 V÷253 V
FREQUENCY SUPPLY RANGE: 50 Hz÷60 Hz
POWER FACTOR (Cos fi): 0.413
MAX ABSORBED POWER NM: 3.7 W
ABSORBED POWER M: 9 VA
EMERGENCY DIAGNOSTIC TYPE: TR
DURATION: 1 / 1.5 / 2 / 3 h
FLUX NM: 500 / 330 / 250 / 150 lm
FLUX M: 220 lm
BATTERY TYPE: LiFe
BATTERY: LiFe 3.2V 1.5Ah
REST MODE: y
RECHARGING TIME: 12 h
Ta: 0 °C÷40 °C
INSULATION CLASS: II
CRI: >70
CCT: 4000 K
OPTIC NAME: LONG / WIDE
OPTIC EFFICIENCY: 90% / 88%
LED NUMBER: 1
PHOTOBIOLOGICAL RISK: RG0
CURRENT SUPPLY AC: 39 mA



MOUNTING AND APPLICATIONS

MOUNTING: False Ceiling Recessed
ENVIRONMENT: Indoor
APPLICATION: Offices / Public Areas / Shops

MECHANICAL CHARACTERISTICS

Dimension: Diameter: 37 mm **Height:** 40 mm
PRODUCT WEIGHT: 170 g
PLASTERBOARD CUT DIMENSIONS: 30 mm Spazio
BODY MATERIAL: Polycarbonate **COLOUR:** White RAL 9010
TRIM MATERIAL: Polycarbonate **COLOUR:** White RAL 9010
LENSES MATERIAL: Transparent polycarbonate
PROTECTION DEGREE: IP65/IP20
OPTICAL PROTECTION DEGREE: IP65 **RECESSED PROTECTION DEGREE:** IP20
MECHANICAL IMPACTS PROTECTION DEGREE: IK07
GLOW WIRE: 850° - 30s.
QUANTITY PER BOX SINGLE/MULTIPLE/DELIVERY: 1/6/

CERTIFICATES AND STANDARDS

STANDARDS: UK SI 2021 No. 1095, EN 62471:2008, EN IEC 60598-1:2021, EN 60598-2-2:2012, EN 60598-2-22:2014 + AC:2015 + AC:2016-05 + AC:2016-09 + A1:2020, EN IEC 63000:2018, EN 62493:2010, EN 61000-3-3:2013, REG. 2019/2020(EU), EN IEC 55015:2019 + A11:2020, EN IEC 61000-3-2 :2019, EN 61547:2009

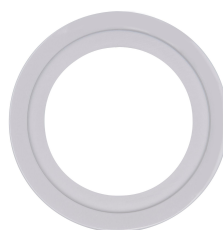
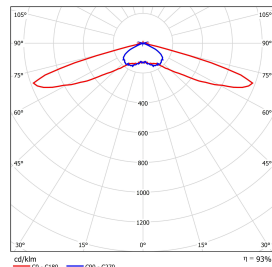
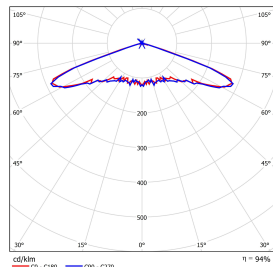
MICRODOT



MICRODOT TR SA/SE IP65

SYSTEM:TR

Beghelli Code: **19715**



Accessories to be order separately



RA14
BOOSTER LiFe 2x3.2V 1.5Ah