

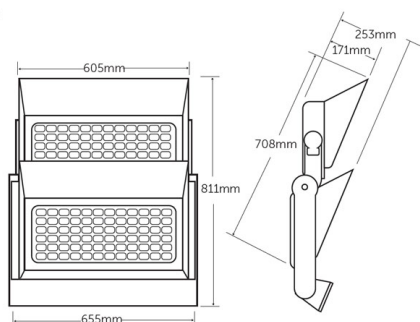
Fittings / LED Floodlights

1200W Skyline Powertron Asymmetric LED Floodlight - 4000K



The Skyline Powertron Asymmetric LED Floodlight is the highest lumen output floodlight ever produced by BELL. The black powder coated die cast aluminium construction gives an ultra-modern aesthetic combined with a staggering 260,000 lumen output (1800W). The rugged, robust construction of the Powertron makes this fitting ideal for external sports facilities open to the elements.

Technical Specification



Product Code 11331

Reference

Guarantee	10 Years
EAN	5013588113319
Commodity Code	9405423990
Country Of Origin	CN
UNSPSC Code	39111626

Technical Specification

Volts (V)	180-440
Watts (W)	1200
Colour Temp (K)	4000
Lumens (lm)	170000
Life Hours	100,000
CRI (Ra)	70
Switching Cycles	200,000
Frequency (Hz)	50/60
Energy Consumption (kWh/1000h)	1200
IP Rating	IP66

Dimensions

Height (mm)	811
Width (mm)	605
Depth (mm)	253