



Index



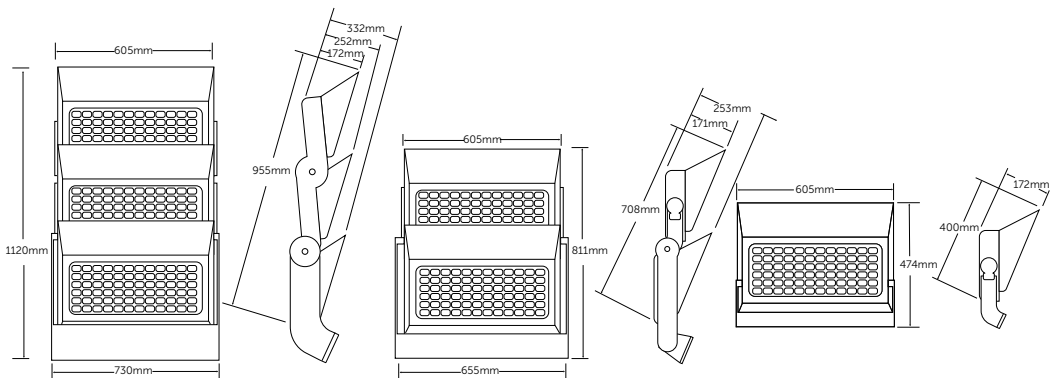
Images show optional ULR Shields

# SkylinePowertron

## Asymmetric LED Floodlight

The Skyline Powertron Asymmetric LED Floodlight is the highest lumen output floodlight ever produced by BELL. The black powder coated die cast aluminium construction gives an ultra-modern aesthetic combined with a staggering 260,000 lumen output (1800W). The rugged, robust construction of the Powertron makes this fitting ideal for external sports facilities open to the elements.

- 600/1200/1800W Modular Body Design
- Genuine replacement for 1000W/2000W Metal Halide Floodlights
- Up to 146 Lm/W
- IP66
- Fully adjustable angled mounting bracket
- Suitable for multiple row columns installation
- Angle markings on bracket for easy alignment
- Scope available on request for fine on site aiming
- Full cut-off horizontal asymmetric floodlight
- Low weight & windage
- Optional ULR Shields available for 0° upward light, glare and obstructive light reduction
- Remote driver box, can be mounted on ground level for easy maintenance



Dimensions include optional Deep ULR Shields



technical@belllighting.co.uk  
 sales@belllighting.co.uk

# Skyline Powertron

## Asymmetric LED Floodlight

Technical Specification	
Construction	Black powder coated die cast aluminium (RAL 9017)
Driver	600W & 1200W UPowerTek / 1800W BELL
LED Chip	OSRAM 3737
IP Rating	IP66
Operating Temp	-30°C to +35°C
Controls	0-10V, DALI, DMX & PWM (special order)
Power Factor	> 0.9
CRI	70 - Exceeds EU standard of Ra70 for Colour Rendering Index
LMR	80 - Exceeds EU standard of 70 for Lumens Maintenance Ratio
Weight	With Driver: 600W 15.5Kg / 1200W 31.8Kg / 1800W 47.7Kg Without Driver: 600W 8.9Kg / 1200W 20.5Kg / 1800W 36.9Kg
Windage/EPA	600W 0.09m <sup>2</sup> @ 0° 1200W 0.22m <sup>2</sup> @ 0° 1800W 0.40m <sup>2</sup> @ 0°

Code	V	W	Description	Lm (up to)	Peak Intensity (up to)	Temp	Lm/W (up to)	Hours
11330	180 - 440	600	Skyline Powertron Asymmetric LED Floodlight	85,000	1730 cd/klm @ 71°	4000K	142	100,000
11331	180 - 440	1200	Skyline Powertron Asymmetric LED Floodlight	170,000	1730 cd/klm @ 71°	4000K	145	100,000
11332	200 - 440	1800	Skyline Powertron Asymmetric LED Floodlight	260,000	1730 cd/klm @ 71°	4000K	146	100,000
11341	-	-	Deep Shield for above	-	-	-	-	-
11345	-	-	Shallow Shield for above	-	-	-	-	-
11346	-	-	Aiming Scope for above	-	-	-	-	-

Please note; if using shields order:

- 1 for 600W
- 2 for 1200W
- 3 for 1800W

<sup>1</sup> Exceeds EU standard of 70 for Lumens Maintenance Ratio

<sup>2</sup> Exceeds EU standard of RA 70 for Colour Rendering Index

<sup>3</sup> Subject to terms & conditions (Contact Customer Service)

