

Vimar - 40101 - Supply unit DueFili 110-240V

Code	40101
Family	ELVOX Door entry / Due Fili Plus / Power supply unit
Description	Supply unit DueFili 110-240V
Long Description	Supply unit for audio entry system with 28 Vdc output, supply voltage 110-240 V~ 50/60 Hz, for DIN (60715 TH35) rail installation, occupies 6 17,5 mm modules
Product Status	3 - Active
Minimum order quantity	1 NR



Sheets, Manuals

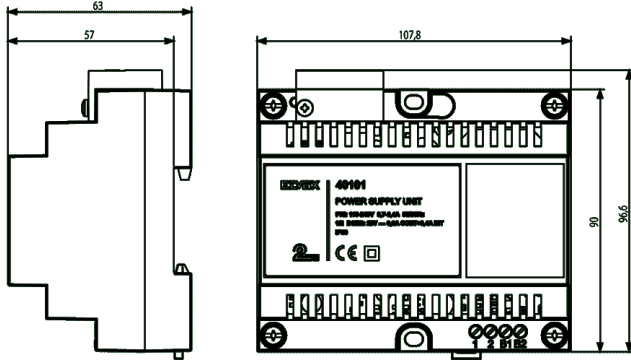
[FI - Instructions sheet \(750 kb\)](#)

Certifications

- 01. IMQ - Italy
- 28. NSW / RCM - Australia
- 99. WEEE Directive ([download](#))

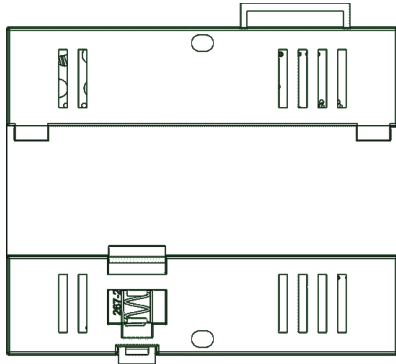
Drawings

SPACE VIEW



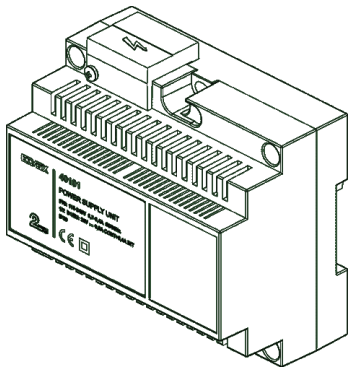
[download.png](#) - [download.dxf](#)

BACKSIDE VIEW



[download.png](#) - [download.dxf](#)

3D VIEW



[download.png](#) - [download.dxf](#)

Technical data

Class group: Communication technique

Class: Power supply for door and video intercom

Application: Other

Input voltage: 240,00 v

Type of current: DC

Output voltage: 28,00 v

Degree of protection (IP): IP30

Installation technique: Bus system

Integrated door opening circui: No

Control function: No

Evaluation function: No

Service indication: No

Mounting method: Other

Programming lock: No

Packaging



8 013406 264107



8 013406 270962

Code 8013406264107

Quantity 1 NR

Dim. 10x11x6.8 [cm]

Weight 370.4 [g]

Code 8013406270962

Quantity 20 NR

Dim. 34.5x23x23.5 [cm]

Weight 7,408 [g]

Share



Legal

Vimar reserves the right to change at any time and without notice the characteristics of the products reported. Installation should be carried out by qualified staff in compliance with the current regulations regarding the installation of electrical equipment in the country where the products are installed.

For the terms of use of the information on the product info sheet see [conditions of use](#).