

## Vimar - 40195 - Tab 7 table base

---

<b>Code</b>	40195
<b>Family</b>	ELVOX Door entry / Universal components / Brackets and Supports
<b>Description</b>	Tab 7 table base
<b>Long Description</b>	Table box for Tab 7 series video entryphones
<b>Product Status</b>	3 - Active
<b>Minimum order quantity</b>	1 NR



## Sheets, Manuals

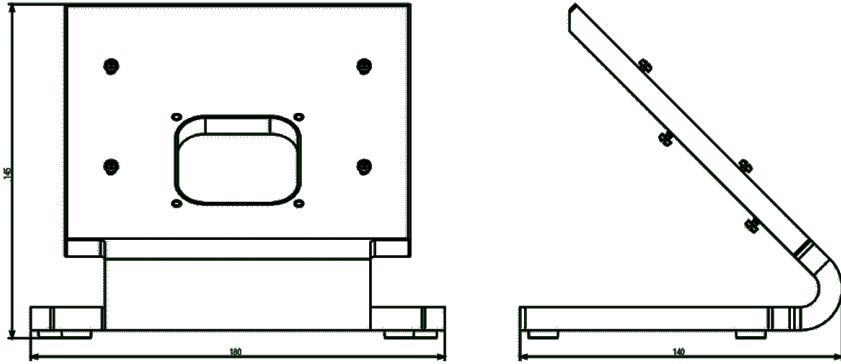
---

[FI - Instructions sheet \(674 kb\)](#)

## Drawings

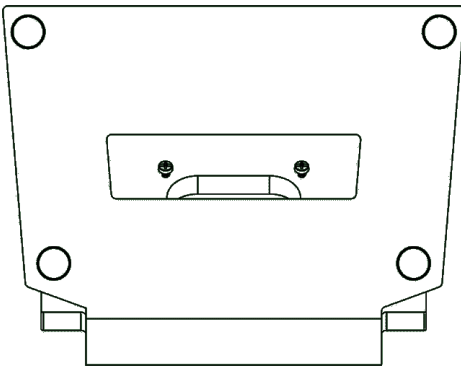
---

### SPACE VIEW



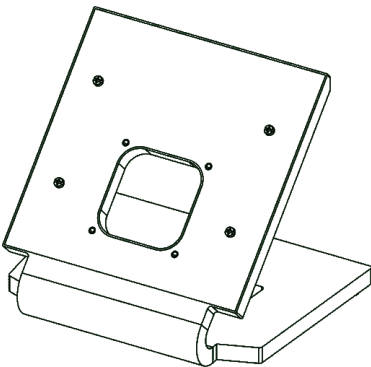
[download.png](#) - [download.dxf](#)

### BACKSIDE VIEW



[download.png](#) - [download.dxf](#)

### 3D VIEW



[download.png](#) - [download.dxf](#)

## Video

---

Today, the future of video door.

## Technical data

---

**Class group:** Communication technique

**Class:** Expansion module for door and video inte

**Suitable for:** House station

**Type of expansion:** Accessories for desk type

**Installation technique:** Other

**Material:** Plastic

## Packaging

---



8 013406 294788

**Code** 8013406294708  
**Quantity** 1 NR  
**Dim.** 20.5x16.5x15.5 [cm]  
**Weight** 677.6 [g]

## Share

---



## Legal

---

Vimar reserves the right to change at any time and without notice the characteristics of the products reported.  
Installation should be carried out by qualified staff in compliance with the current regulations regarding the installation of electrical equipment in the country where the products are installed.  
For the terms of use of the information on the product info sheet see [conditions of use](#).