

## Vimar - 41100.03 - Pixel std audio front module white

---

<b>Code</b>	41100.03
<b>Family</b>	ELVOX Door entry / Universal components / Pixel
<b>Description</b>	Pixel std audio front module white
<b>Long Description</b>	Standard audio front module for Due Fili Plus audio electronic unit 41000, white
<b>Product Status</b>	3 - Active
<b>Minimum order quantity</b>	1 NR



## Sheets, Manuals

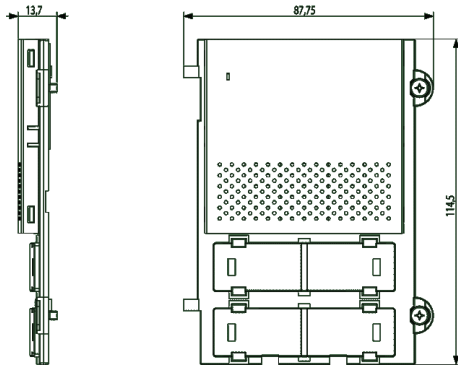
---

[MI - Installer guide \(1879 kb\)](#)

## Drawings

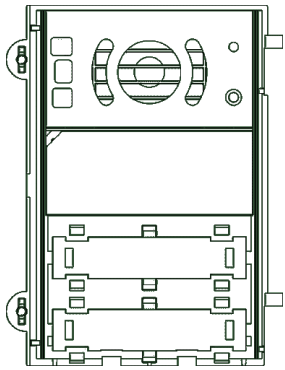
---

### SPACE VIEW



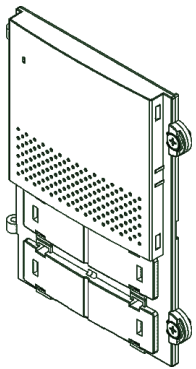
[download.png](#) - [download.dxf](#)

### BACKSIDE VIEW



[download.png](#) - [download.dxf](#)

### 3D VIEW



[download.png](#) - [download.dxf](#)

## Video

---

[Pixel video door entry panel](#)  
[Retrofit with existing back boxes](#)  
[After Installation](#)  
[Interacting with the TAB Free](#)  
[Installation and configuration](#)

## Technical data

---

**Class group:** Communication technique  
**Class:** Mounting frame for house station  
**Colour:** White

## Packaging

---



8 013406 271358



8 013406 274403

**Code** 8013406271358  
**Quantity** 1 NR  
**Dim.** 12x9.1x1.9 [cm]  
**Weight** 52.6 [g]

**Code** 8013406274403  
**Quantity** 5 NR  
**Dim.** 13.3x10.2x10 [cm]  
**Weight** 309.8 [g]

## Share

---



## Legal

---

Vimar reserves the right to change at any time and without notice the characteristics of the products reported. Installation should be carried out by qualified staff in compliance with the current regulations regarding the installation of electrical equipment in the country where the products are installed. For the terms of use of the information on the product info sheet see [conditions of use](#).