

## Vimar - 41113.02 - Pixel single blank module slate grey

---

<b>Code</b>	41113.02
<b>Family</b>	ELVOX Door entry / Universal components / Pixel
<b>Description</b>	Pixel single blank module slate grey
<b>Long Description</b>	Single blank module, slate grey
<b>Product Status</b>	3 - Active
<b>Minimum order quantity</b>	1 NR



## Sheets, Manuals

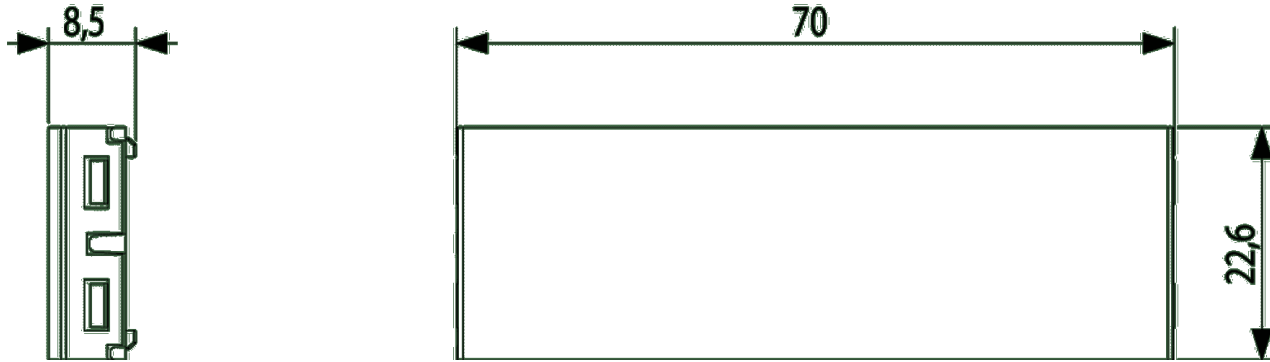
---

[MI - Installer guide \(1879 kb\)](#)

## Drawings

---

### SPACE VIEW



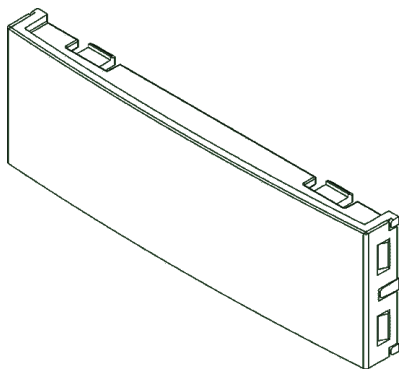
[download.png](#) - [download.dxf](#)

### BACKSIDE VIEW



[download.png](#) - [download.dxf](#)

### 3D VIEW



[download.png](#) - [download.dxf](#)

## Video

---

[Pixel video door entry panel](#)  
[Retrofit with existing back boxes](#)  
[After Installation](#)  
[Interacting with the TAB Free](#)  
[Installation and configuration](#)

## Technical data

---

**Class group:** Communication technique  
**Class:** Mounting frame for house station  
**Colour:** Grey

## Packaging

---



8 013406 271525

**Code** 8013406271525  
**Quantity** 1 NR  
**Dim.** 7x2.3x0.8 [cm]  
**Weight** 8.2 [g]



8 013406 271532

**Code** 8013406271532  
**Quantity** 15 NR  
**Dim.** 12.8x8.5x4.5 [cm]  
**Weight** 143 [g]



8 013406 271990

**Code** 8013406271990  
**Quantity** 180 NR  
**Dim.** 28x26.5x11.5 [cm]  
**Weight** 1,905.4 [g]

## Share

---



## Legal

---

Vimar reserves the right to change at any time and without notice the characteristics of the products reported. Installation should be carried out by qualified staff in compliance with the current regulations regarding the installation of electrical equipment in the country where the products are installed. For the terms of use of the information on the product info sheet see [conditions of use](#).