

Vimar - 41218 - Heavy display front module IK09 IP54

Code	41218
Family	ELVOX Door entry / Universal components / Pixel Heavy
Description	Heavy display front module IK09 IP54
Long Description	Display front module, Pixel Heavy, for 41018 electronic unit, sable grey. IP54 and IK10 protection rating against knocks and atmospheric agents
Product Status	3 - Active
Minimum order quantity	1 NR

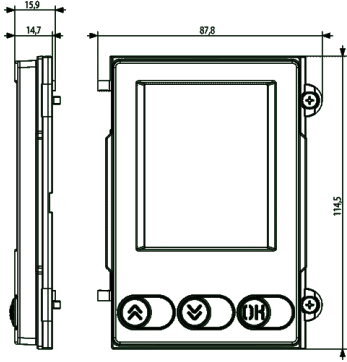


Sheets, Manuals

[MI - Installer guide \(5769 kb\)](#)

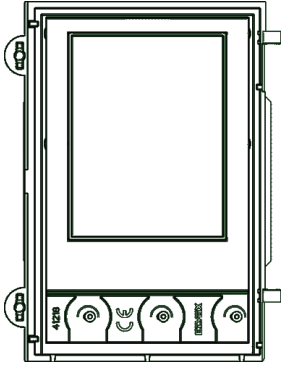
Drawings

SPACE VIEW



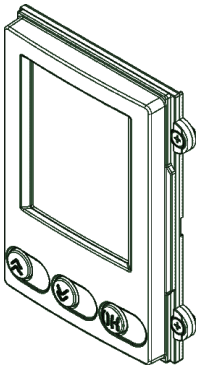
[download.png](#) - [download.dxf](#)

BACKSIDE VIEW



[download.png](#) - [download.dxf](#)

3D VIEW



[download.png](#) - [download.dxf](#)

Technical data

Class group: Communication technique

Class: Mounting frame for house station

Colour: Grey

Packaging



8 013406 277329



8 013406 277336

Code 8013406277329

Quantity 1 NR

Dim. 12x9.1x1.9 [cm]

Weight 201 [g]

Code 8013406277336

Quantity 5 NR

Dim. 13.3x10.2x10 [cm]

Weight 1,055.2 [g]

Share



Legal

Vimar reserves the right to change at any time and without notice the characteristics of the products reported.

Installation should be carried out by qualified staff in compliance with the current regulations regarding the installation of electrical equipment in the country where the products are installed.

For the terms of use of the information on the product info sheet see [conditions of use](#).