

## Vimar - 41230 - Heavy 10-button/2 front module IK10 IP54

---

<b>Code</b>	41230
<b>Family</b>	ELVOX Door entry / Universal components / Pixel Heavy
<b>Description</b>	Heavy 10-button/2 front module IK10 IP54
<b>Long Description</b>	10-button on 2 rows front module, Pixel heavy, for 41010 electronic unit, sable grey. IP54 and IK10 protection rating against knocks and atmospheric agents
<b>Product Status</b>	3 - Active
<b>Minimum order quantity</b>	1 NR



### Sheets, Manuals

---

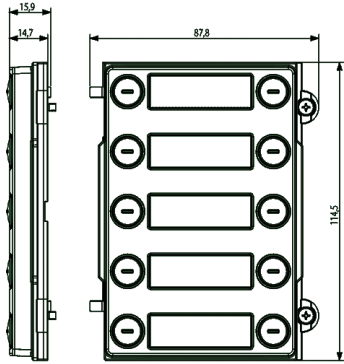
[MI - Installer guide \(5769 kb\)](#)

[SC - Data sheet \(1990 kb\)](#)

## Drawings

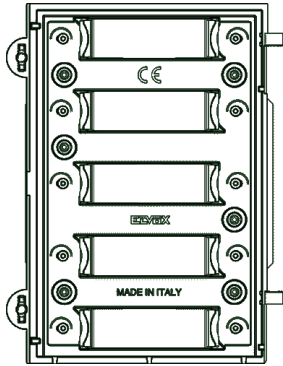
---

### SPACE VIEW



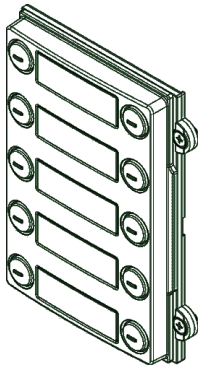
[download.png](#) - [download.dxf](#)

### BACKSIDE VIEW



[download.png](#) - [download.dxf](#)

### 3D VIEW



[download.png](#) - [download.dxf](#)

## Technical data

---

**Class group:** Communication technique

**Class:** Mounting frame for house station

**Colour:** Grey

## Packaging

---



8 013406 277145



8 013406 277152

**Code** 8013406277145

**Quantity** 1 NR

**Dim.** 12x9.1x1.9 [cm]

**Weight** 210.4 [g]

**Code** 8013406277152

**Quantity** 5 NR

**Dim.** 13.3x10.2x10 [cm]

**Weight** 1,101.8 [g]

## Share

---



## Legal

---

Vimar reserves the right to change at any time and without notice the characteristics of the products reported.

Installation should be carried out by qualified staff in compliance with the current regulations regarding the installation of electrical equipment in the country where the products are installed.

For the terms of use of the information on the product info sheet see [conditions of use](#).