

## Vimar - 753A - Table box for Tab white

---

<b>Code</b>	753A
<b>Family</b>	ELVOX Door entry / Universal components / Tab Series
<b>Description</b>	Table box for Tab white
<b>Long Description</b>	Table mounting baseplate for Tab and Tab Free video door entry units and Tab jr. interphone, white
<b>Product Status</b>	3 - Active
<b>Minimum order quantity</b>	1 NR



## Sheets, Manuals

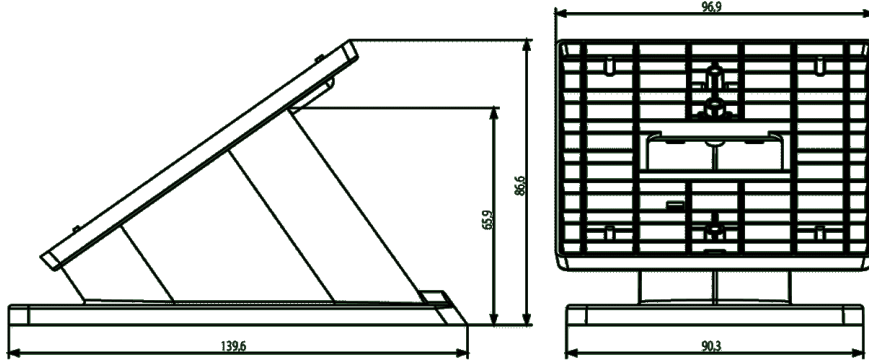
---

[FI - Instructions sheet \(729 kb\)](#)

## Drawings

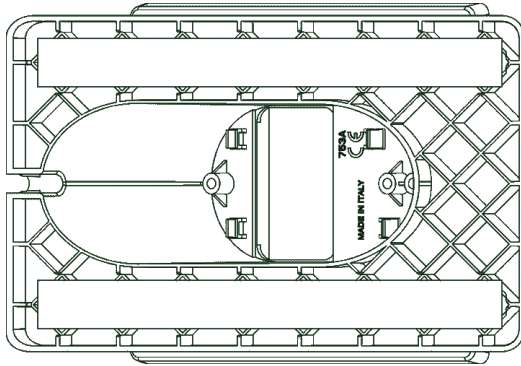
---

### SPACE VIEW



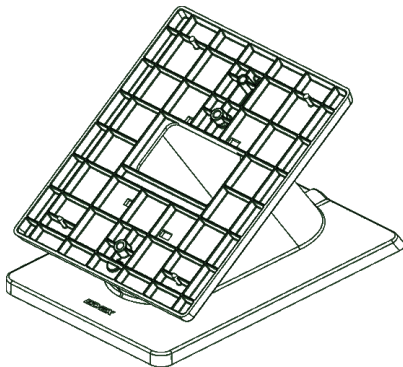
[download.png](#) - [download.dxf](#)

### BACKSIDE VIEW



[download.png](#) - [download.dxf](#)

### 3D VIEW



[download.png](#) - [download.dxf](#)

## Technical data

---

**Class group:** Communication technique

**Class:** Expansion module for door and video inte

**Suitable for:** House station

**Type of expansion:** Accessories for desk type

**Installation technique:** Bus system

## Packaging

---



**Code** 8013406259806  
**Quantity** 1 NR  
**Dim.** 14.5x9.5x7.7 [cm]  
**Weight** 123 [g]

## Share

---



## Legal

---

Vimar reserves the right to change at any time and without notice the characteristics of the products reported.  
Installation should be carried out by qualified staff in compliance with the current regulations regarding the installation of electrical equipment in the country where the products are installed.  
For the terms of use of the information on the product info sheet see [conditions of use](#).