**PIXEL UP  
4040**

Panel with Due Fili Plus audio/video electronic unit, display and alphanumeric keyboard

## Video entryphone panel with Due Fili Plus audio/video electronic unit, display and alphanumeric keyboard

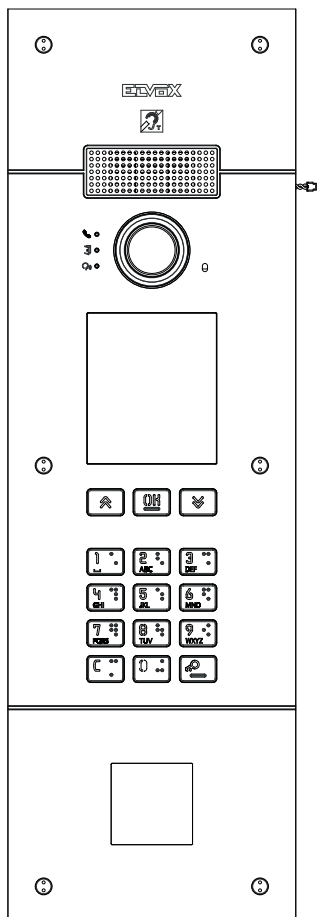
The instruction manual is downloadable from the site [www.vimar.com](http://www.vimar.com)

### 1.1 Description

Outdoor video entryphone unit with call from contacts list.

The panel has a hole (size 40x40mm), for fitting an access control reader.

The device is supplied with a display and keyboard used to make calls using the contacts list or by directly entering the extension number to be called.



### 1.2 Technical characteristics

- Operating temperature: -25° C / +55° C.
- IP54 degree of protection
- IK08 degree of protection against impact

The audio video module has:

- Power supply from Due Fili Bus, via terminals B1 and B2: 28VDC nominal.
- Minimum voltage on terminals B1 and B2: 21Vcc
- Local power via terminals E+, E- if the electronic unit needs to be powered via an additional power supply unit. The additional power supply unit should be installed if the system's maximum consumption exceeds the power supply unit's capacity.
- Absorption from Bus or from additional power supply unit:
  - in Stand by 120 mA
  - in communication 280 mA
  - lock activation + 50 mA
  - maximum 330 mA
- Video signal output 16 dBm

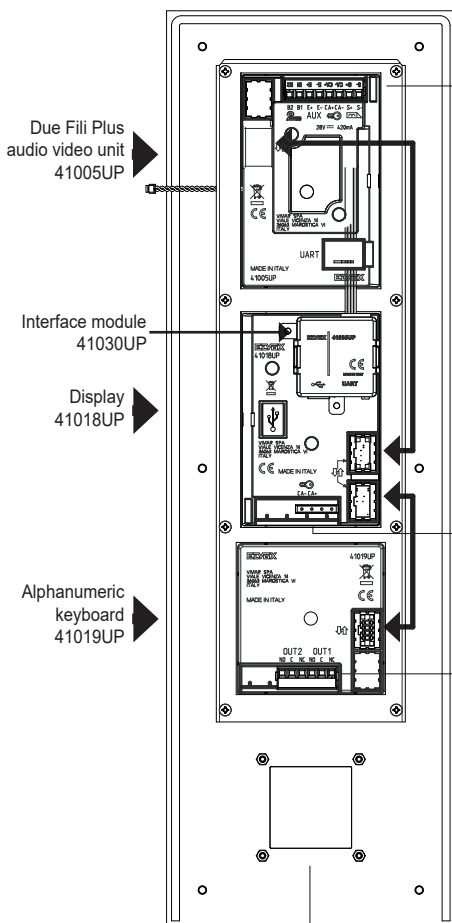
The 3.5" display has

- 320 x 480 pixels, 65K colours, 500 lux.
- power supply from audio-video module.

The keyboard has:

- 2 configurable relays. The first relay acts by default as an actuator opening the lock (together with S+ S- in the audio/video unit). By default the second opens when a "Stair light" or "Aux1" command is given.
- power supply from audio-video module.

Rear view



Terminal block for connection to the audio/video unit

Terminal functions	
B2	
B1	Due Fili Bus
E+	Additional external power supply, from power supply unit 6923 (output +U).
E-	
CA+	Lock control additional button (Default).
CA-	Alternatively (if configured via SaveProg), sensor input to signal "Door Open".
S+	Electric lock output
S-	<b>Note:</b> S+/S- outputs. The entrance panel supplies a current peak $I_T > 1A$ for 10ms after which there follows a maintenance current $I_M = 200mA$ for the entire duration of the lock command (see lock time).

Terminal block for connection to display

Terminal functions	
CA-	Input programmable using configuration software (e.g. lock release command, door open signal sensor, command of actuator available in system). Note: connect to an isolated SELV voltage free-contact.
CA+	

Terminal block for connection to keyboard

Terminal functions		
OUT1	NO	Relay output with NO and NC contacts chosen by the installer.
	C	The contact can control resistive loads externally powered with maximum current 1 A and maximum voltage 60 Vdc (maximum voltage permitted by 60950-1 for the SELV).
	NC	
OUT2	NO	Relay output with NO and NC contacts chosen by the installer.
	C	The contact can control resistive loads externally powered with maximum current 1 A and maximum voltage 60 Vdc (maximum voltage permitted by 60950-1 for the SELV).
	NC	

Hole (size 40x40mm), for fitting an access control reader

## Installation rules

Installation should be carried out by qualified personnel in compliance with the current regulations regarding the installation of electrical equipment in the country where the products are installed.

## Conformity

EMC directive

Standards EN 60065, EN 61000-6-1 and EN 61000-6-3.



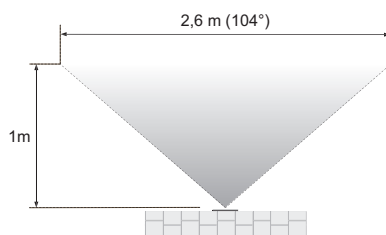
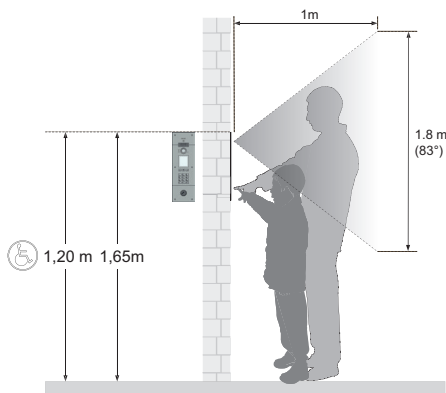
### WEEE - Information for users

If the crossed-out bin symbol appears on the equipment or packaging, this means the product must not be included with other general waste at the end of its working life. The user must take the worn product to a sorted waste center, or return it to the retailer when purchasing a new one. Products for disposal can be consigned free of charge (without any new purchase obligation) to retailers with a sales area of at least 400m<sup>2</sup>, if they measure less than 25cm. An efficient sorted waste collection for the environmentally friendly disposal of the used device, or its subsequent recycling, helps avoid the potential negative effects on the environment and people's health, and encourages the re-use and/or recycling of the construction materials.

## 1.3 Installation

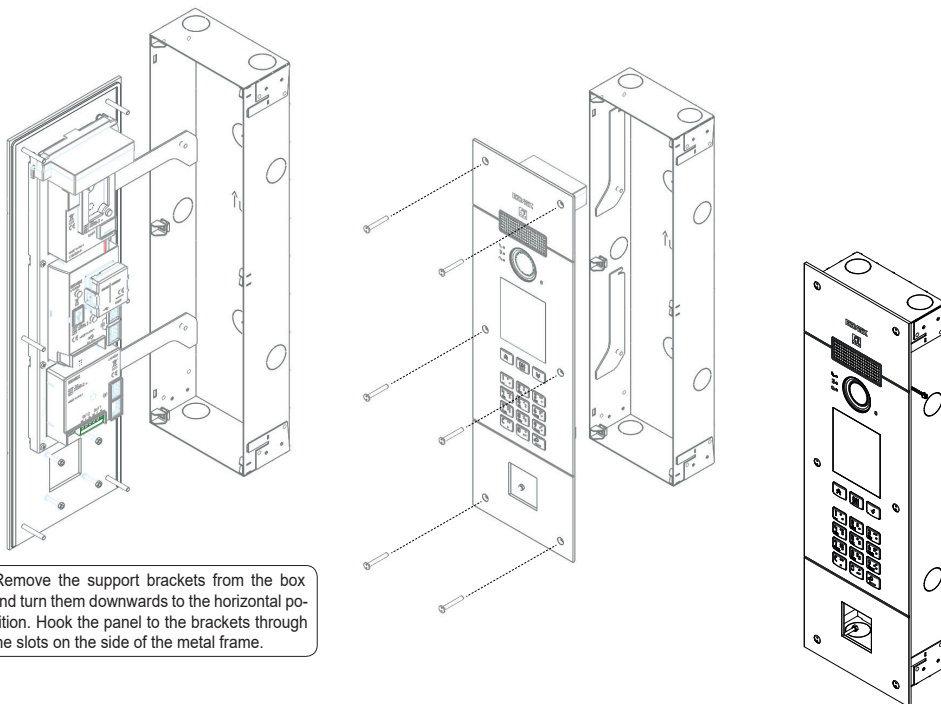
1. Install the flush-mounted or external surface mounting box at a height of approx. 1.65 m or 1.20 m for accessibility for the disabled, from the upper edge of the box to the floor.
2. Connect the terminal block of the electronic unit to the system.
3. Having connected the device it will work with the default parameters. If special configurations are required, refer to the relative Programming manual.
4. Close the panel, fixing the front cover plate to the box using the screws.

### 1.3.1 Video camera installation height and field of view.

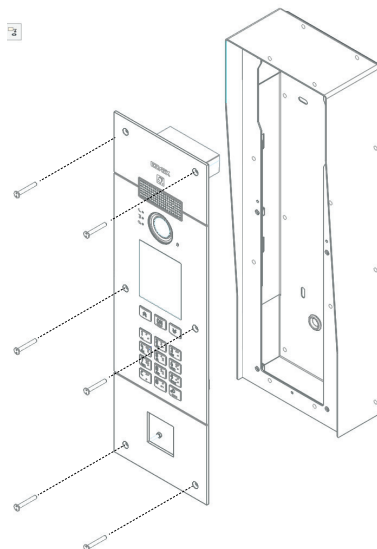


H angle (opening at 1m)	104° (2.6m)
V angle (opening at 1m)	83° (1.8m)
Diagonal angle	129°

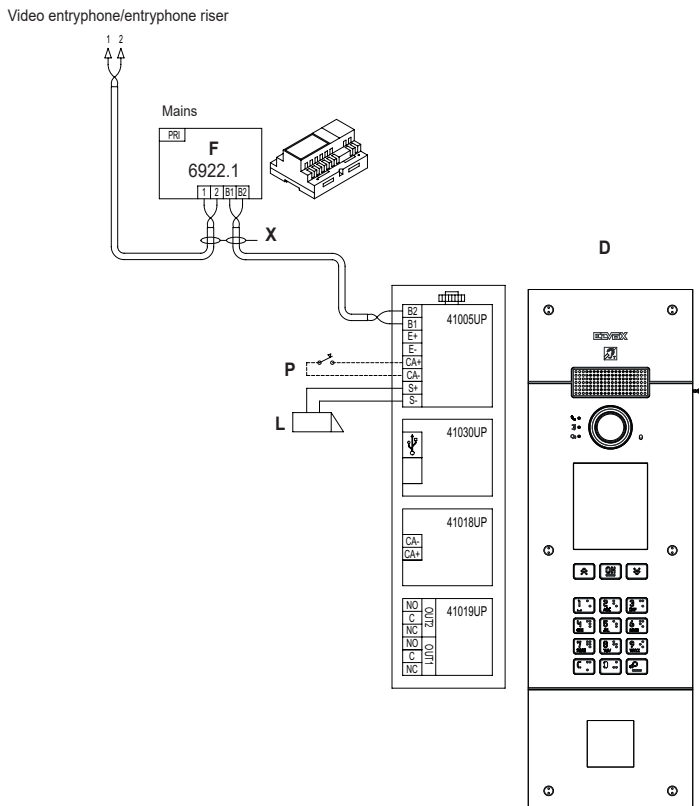
### 1.3.2 Installation with flush mounting box



### 1.3.3 Installation with external surface mounting box

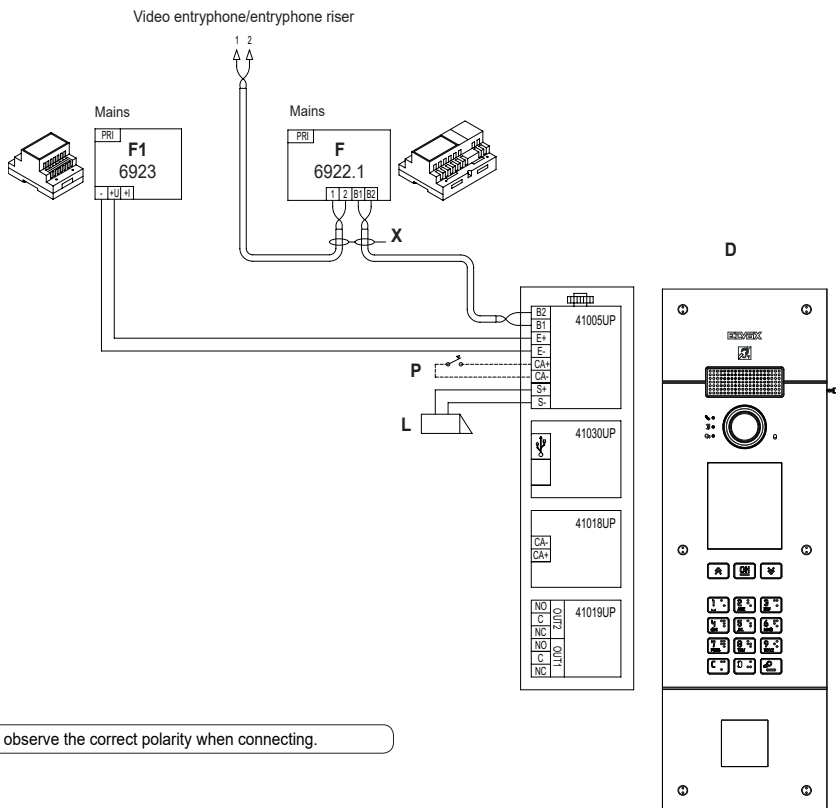


### 1.4 Wiring diagram



- D - Audio-video entrance panel with display and keyboard 40404
- F - System power supply unit 6922.1
- P - Electric lock
- L - Additional lock control button
- X - Twisted cable 732H.E, 732I.E

1.4.1 Version of wiring additional power supply with power supply unit 6923



**Caution:** observe the correct polarity when connecting.

- D - Audio-video entrance panel with display and keyboard 40404
- F - System power supply unit 6922.1
- F1 - Additional power supply unit 6923
- P - Electric lock
- L - Additional lock control button
- X - Twisted cable 732H.E, 732I.E

**Note:** If the distance between the additional power supply unit 6923 and the power supply is more than 3m, use the filter code 41021 installed near the audio/video module and inside the box\*.

CE

49401376A0 01 1902



**VIMAR**

Viale Vicenza, 14  
36063 Marostica VI - Italy  
[www.vimar.com](http://www.vimar.com)