

**ZSEM**

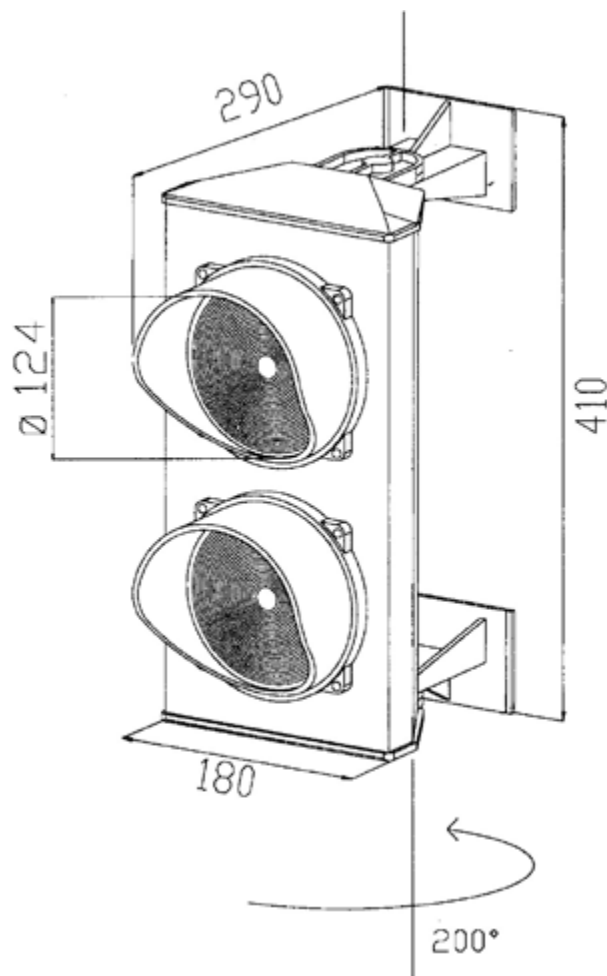
Traffic light with two lights and two lenses, red-green

### DESCRIPTION OF THE PRODUCT

Traffic lights Art. ZSEM with two lights and two lenses are commonly employed to manage priorities in residential hotels, blocks of flats, car parks, car wash and aquatic park facilities etc. They are delivered with a 70W long duration light bulb and can also be oriented with an angle of about 200° and clicks of 3°.

### TECHNICAL FEATURES

- Supply voltage: 230V ~.
- Consumption per hour (for each light bulb): 70 W.
- Average life of a light bulb: 10.000 hours.
- Weight: 2,7Kg.
- Colour: red-green
- Dimensions: 180 x 90 x 410 mm.
- Lens diameter : 124 mm.
- Protection range IP65



### INSTALLATION

Traffic light with two lights are made up of a central body in extruded and hot painted black aluminium. Inside there are two light bulb supports (divided by a separator) with the connecting cables that are linked to the feeding through a terminal board in ceramics.

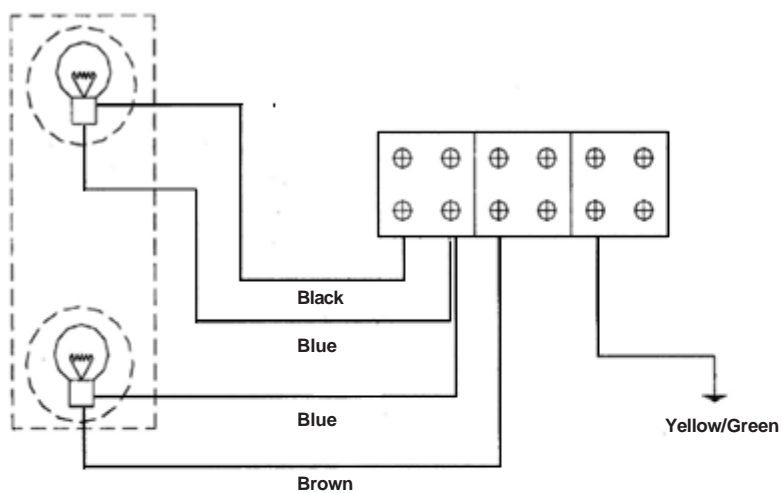
The traffic light has got two brackets to fix the traffic light to the wall and can also be oriented with an angle of about 200° and clicks of 3°. The installation envisages the following steps:

- 1) Bore the lower cover to insert the stop cable connector.
- 2) Fix the traffic light with the brackets, screws and tapping screws, supplied
- 3) Take the visors and the lenses off, screw in the light bulbs on the lamp support and connect the cables with the power supply as shown on the following page. It is advised to use cables with a 1.5mm<sup>2</sup> section and a max. length of 20 m.
- 4) Close the traffic light by fixing the lenses and the visors.

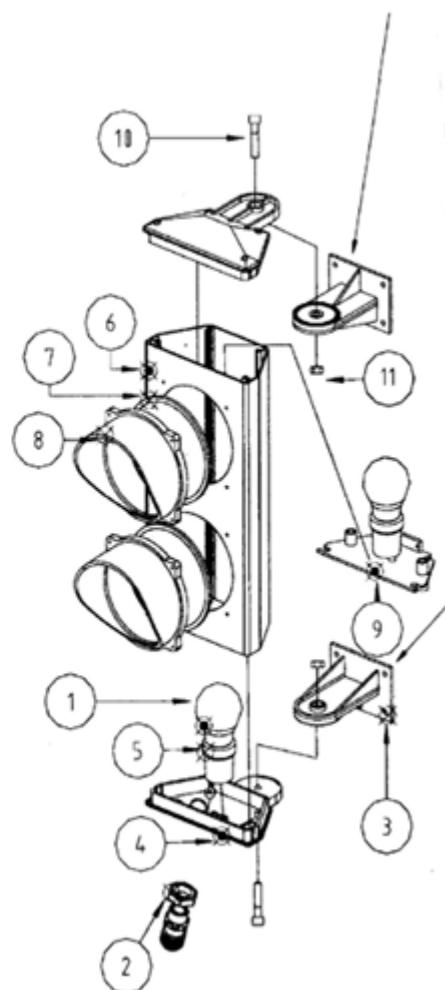
**ATTENTION: make sure that the screws of the visor are well screwed in to guarantee the perfect isolation of the gaskets.**

The wiring diagram and the components related to the 2-light and 2-lens traffic light are shown underneath.

Wall fixing with four tapping screws.



Pos.	Qt.	Description
1	2	Light bulb
2	1	Stop cable connector
3	2	Fixing bracket
4	2	Cover
5	2	Light bulb support
6	1	Body of the traffic light
7	2	Lens
8	2	Visor
9	1	Light bulb separator
10	2	6-point head screws
11	2	Nut



The following security information is integrant and essential part of the product and must be given to the user. Read it carefully as it gives important suggestions concerning the installation, the use and the maintenance. Keep the present manual in order to be able to transmit it to possible future users of the installation. The erroneous installation or an improper use of the product may cause great danger.

Hereby, ELVOX, declares that this equipment is in compliance with the essential requirements and other relevant provisions of directive 1999/5/CE

#### IMPORTANT - SECURITY INFORMATION

- . The installation must be carried out by professional technicians and according to the national and European safety regulations in force.
- . After removing the packing check the integrity of the appliance. If in doubt, contact qualified personnel.
- . The packaging (carton, plastic bags, clips, polystyrene etc.) must be disposed of properly in the appropriate containers. It must not be left within the reach of children.
- . The installation, the electrical connections and the adjustments must be carried out perfectly; check that the data on the specification plate correspond to those of the mains supply and that the connection cable cross-section is suitable for the applied loads, in case of doubt contact qualified personnel.
- . Do not install the appliance in premises with danger of explosion or disturbed by magnetic fields. The presence of gasses or inflammable fumes is a great danger for the safety.
- . Ensure that there is and/or to foreseen upstream of the set a section device with a 3mm opening distance between the terminals.
- . The gate, door, rolling shutter or barrier should bear a plate indicating that they are remotely controlled.
- . ELVOX S.p.A. will not accept liability for any damage caused by the incorrect installation of devices and/or components not suitable for the integrity, the safety and the operation of the unit.
- . The product must only be used for the purposes for which it was designed. Any other use is incorrect and hence dangerous.
- . Before carrying out any cleaning or maintenance work, disconnect the unit from the mains supply, either by unplugging the power cord or by switching off the mains supply.
- . Any repair work or replacement of damaged parts must be carried out by qualified personnel using original parts and components.
- . The installer must supply all the information concerning the operation, the maintenance and the use of the single components and the whole system.