

## SPR-VA | end position

### Protective metal conduits

Protective metal conduit, strip-wound, s profile

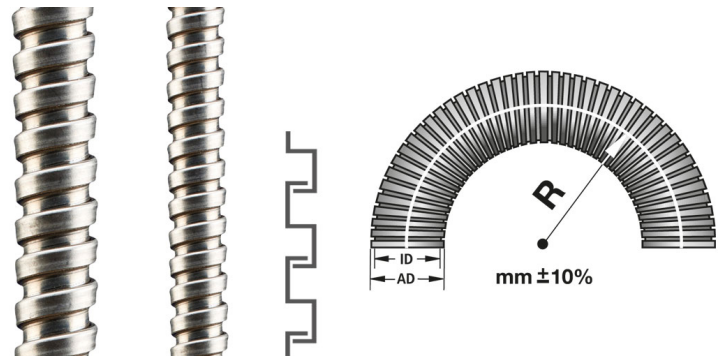
**Temperature:** -200°C ... +600°C

**Material:** stainless steel

**IP class [acc. to EN 60529]:** IP 40

#### CHARACTERISTICS:

- Properties: highly flexible
- stretch resistant
- lateral compression resistant



#### APPLICATIONS:

- Application: machine and plant constructions / automotive / railway industry / shipbuilding / automation / electrical installations / sensor technology / ex-area acc. to EN 1127-1



FLEXA No.	Colour	ID [mm]	OD [mm]	BR stat. [mm]	BR dyn. [mm]	Weight [kg/m]	PU [m]
1101980112	Stainless steel	1,2	2,3	25	65	0,012	50
1101980115	Stainless steel	1,5	2,6	25	65	0,013	50
1101980118	Stainless steel	1,8	2,9	22	55	0,015	50
11019801122	Stainless steel	2,2	3,4	20	50	0,016	50
11019801126	Stainless steel	2,6	3,8	20	50	0,019	50
11018801003	Stainless steel	3,0	5,0	10	25	0,041	50
11018801004	Stainless steel	4,0	6,0	12	30	0,049	50
11018801005	Stainless steel	5,0	7,0	20	50	0,043	50
11018801006	Stainless steel	6,0	8,0	22	55	0,055	50
11018801007	Stainless steel	7,0	9,0	25	65	0,062	50
11018801008	Stainless steel	8,0	10,0	20	50	0,077	50
11018801009	Stainless steel	9,0	11,0	30	75	0,092	50
11018801010	Stainless steel	10,0	13,0	32	80	0,110	50

Recommendations for any areas of applications, products, or product combinations are issued to the best of FLEXA's knowledge and experience. The user is requested to check applicability of FLEXA products to specific applications and purposes prior to the use of the particular products. All documentation, illustrations, and charts published are subject to copyright and must not be copied, changed, used, or modified. Technical drawings, certificates, authorizations, and results by the FLEXA lab will be provided upon request. FLEXA will not be held liable for typographical or other errors and incorrect drawings. Technical modifications are subject to change without prior notice.