

Mini Siren KS

Compact alarm, warning or signalling device

- ▶ Penetrating sound
- ▶ Continuous operation with 24 VDC,
short-time operation 30 min. with 230 VAC
- ▶ Simple installation
- ▶ Protection degree IP 44

Application

The small and light siren is used as alarm, warning or signalling device. Due to the high volume and penetrating wail of the siren, the signal is also audible in noisy surroundings.

Design

The plastic housing is made of grey, impact-resistant thermoplastic (ABS). A self-sealing grommet M16 is provided as cable gland for cable diameters of 6 to 10.5 mm.

The special arrangement of the mounting bracket means cable entry is possible from both concealed and surface wiring.

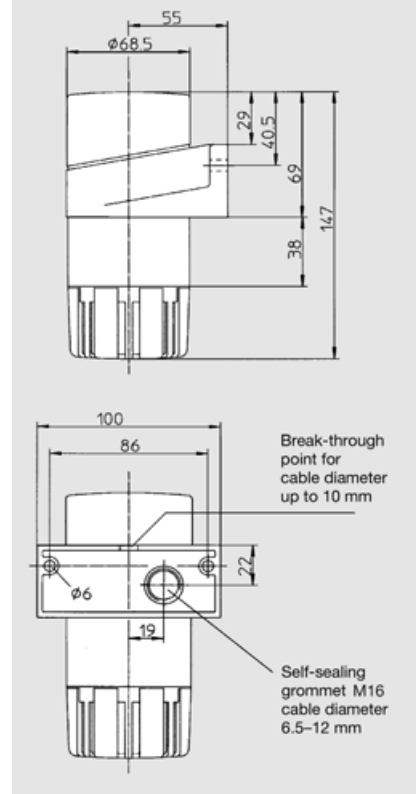
Break indicator at an attendance recorder

Due to the high volume and penetrating wail of the siren, the signal is also audible in noisy surroundings.



Technical specifications

Housing	Impact-resistant thermoplastic (ABS)
Protection degree	Housing: IP 44 (IEC 529) Siren wheel: IP 20 (IEC 529)
Protection class	I
Cable gland	Self-sealing grommet M16 for cable diameters of 6 to 10.5 mm
Connection terminals	Cross section to 1,5 mm ²
Operating conditions	Indoors and outdoors (protected mounting)
Operating position	Indoors: any Outdoors: siren wheel downwards
Operating mode	Continuous with 24 VDC Short-time operation 30 min. with 230 VAC
Volume	Approx. 100 dB(A), 1 m (Regarding volume specifications, please see the chapter "Technical Informations".)
Cable entry	Concealed or surface wiring
Temperature range	
Operation	-20° C to +50° C
Storage	-30° C to +70° C
Weight	Approx. 0.450 kg



Order information

Type	Name	Rated voltage U _e	Operating voltage range U _e	Current consumption	Article no.
KS	Mini Siren	230 VAC 50 Hz	+6/-15 %	0.35 A	214 110 07
KS	Mini Siren	24 VDC	+10/-15 %	0.50 A	214 110 13

Subject to change without notice · Printout 01/09