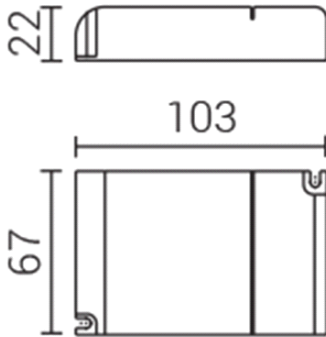


ACCESSORIES - DALI DRIVER - 1956



CODE NO.	1956
LAMP	
WATTAGE	17÷32W
VOLTAGE	350mA (17W) / 700mA (32W)
IP	IP20
IK	
CLASS	
CERTIFICATION	CE
CONFORMITY	
COLOURS	
ENERGY CLASS	

SPECIFICATIONS

- DALI driver, constant current
- INPUT 220-240 V or 110-127 V / AC or DC
- OUTPUT 350 mA (17W) / 700 mA (32W)