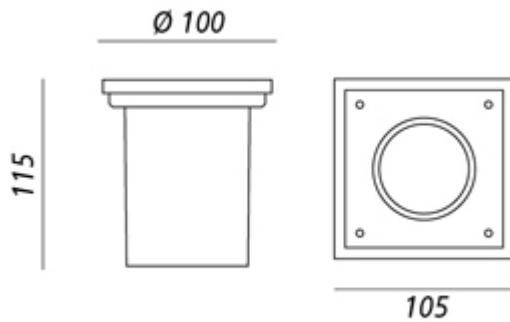




KANDO_Q

Walk-over recessed fitting.
Die-cast aluminium body.
AISI 316 stainless steel ring.
Transparent tempered glass.
PVC frame-work.



Code	42535
Watt	(HALO) max 50
Volt	230V 50/60HZ
Base	GU10
Isolation class	Cl.1
IP Protection	IP67
Dimensions	105x105 mm
Hole size	Ø 100 mm
Weight	0,70 Kg
Pack	20

