

**FUSIBILI A COLTELLO NH aM****Caratteristiche generali:**

- Tipo prodotto: fusibili a coltello serie NH;
- Tensione nominale: 500V / 690V / 1000V AC;
- Famiglie: standard (NH);
- Dimensioni: NH-00C, NH-00, NH-0, NH-1C, NH-1, NH-2C, NH-2, NH-3C, NH-3, NH-4a;
- Caratteristica d'intervento: aM;
- Conformi alle norme: CEI 32-1, CEI 32-4, IEC 60269-1, IEC 60269-2, DIN 43620;
- Corpo in steatite;
- Contatti in rame argentato;
- Corrente nominale: da 6A a 1250A;
- Potere di interruzione: 100kA;
- Esecuzione con indicatore di fusione superiore;
- Confezione minima: 3 pezzi;

BLADE TYPE NH aM FUSES**General characteristics:**

- *Product type: blade type NH fuses;*
- *Rated voltage: 500V / 690V / 1000V AC;*
- *Groups: NH standard;*
- *Dimensions: NH-00C, NH-00, NH-0, NH-1C, NH-1, NH-2C, NH-2, NH-3C, NH-3, NH-4a;*
- *Time-current characteristic: aM;*
- *Conform to: CEI 32-1, CEI 32-4, IEC 60269-1, IEC 60269-2, DIN 43620;*
- *Steatite body;*
- *Silver plated copper contacts;*
- *Rated current: from 6A to 1250A;*
- *Breaking capacity: 100kA;*
- *Fuses with upper fusion indicator mechanism;*
- *Minimum packaging: 3 pieces;*

Foto dei prodotti / Products images

NH-00C



NH-2/CP

Pagine totali del documento: 7

Document total pages: 7

Ultimo aggiornamento: 8 Gennaio 2015

Last updated: 8th January 2015



Codici e caratteristiche principali: Codes and basic characteristics:

grandezza size	NH (1) standard <i>NH (1) standard</i>	NH/CP (2) con percussore <i>NH/CP (2) with striker</i>	NH/CP-S (6) con percussore <i>NH/CP-S (6) with striker</i>	NH/MK (3) con placche isolate <i>NH/MK (3) with insulated gripping-lugs</i>	In (A)	Vn (V)	conf. pack.
NH-00C	1602006	—	1590006S	—	6A	690V	3-120
	1602010	—	1590010S	—	10A	690V	3-120
	1602016	—	1590016S	1600816 (4)	16A	690V	3-120
	1602020	—	1590020S	1600820 (4)	20A	690V	3-120
	1602025	—	1590025S	1600825 (4)	25A	690V	3-120
	1602035	—	1590035S	1600835 (4)	35A	690V	3-120
	1602040	—	1590040S	1600840 (4)	40A	690V	3-120
	1602050	—	1590050S	1600850 (4)	50A	690V	3-120
	1602063	—	1590063S	1600863 (4)	63A	690V	3-120
	1602080	—	1590080S (4)	1600880 (4)(5)	80A	500V	3-120
1602100	—	1590100S (4)	1600900 (4)(5)	100A	500V	3-120	
NH-00	1602125	—	—	1600925	125A	500V	3-60
	1602160	—	—	1600960	160A	500V	3-60
NH-0	1507006	—	—	—	6A	690V	3-36
	1507010	—	—	—	10A	690V	3-36
	1507016	—	—	—	16A	690V	3-36
	1507020	—	—	—	20A	690V	3-36
	1507025	—	—	—	25A	690V	3-36
	1507036	—	—	—	35A	690V	3-36
	1507050	—	—	—	50A	690V	3-36
	1507063	—	—	—	63A	690V	3-36
	1507080	—	—	—	80A	690V	3-36
	1507100	—	—	—	100A	690V	3-36
	1507125	—	—	—	125A	690V	3-36
1507160	—	—	—	160A	690V	3-36	
NH-1C	1612036	—	—	—	35A	690V	3-36
	1612050	—	—	—	50A	690V	3-36
	1612063	—	1591063S (4)	—	63A	690V	3-36
	1612080	1591080 (4)	1591080S (4)	—	80A	690V	3-36
	1612100	1591100 (4)	1591100S (4)	—	100A	690V	3-36
	1612125	1591125 (4)	1591125S (4)	—	125A	690V	3-36
NH-1	1612160	1591160	1591160S	—	160A	690V	3-36
	1612200	1591200	1591200S	—	200A	690V	3-36
	1612250 (5)	1591250	1591250S (5)	—	250A	500V	3-36
NH-2C	1622063	—	—	—	63A	690V	3-30
	1622080	—	—	—	80A	690V	3-30
	1622100	—	—	—	100A	690V	3-30
	1622125	1592125 (4)	—	—	125A	690V	3-30
	1622160	1592160 (4)	1592160S (4)	—	160A	690V	3-30
	1622200	1592200 (4)	1592200S (4)	—	200A	690V	3-30
	1622250	1592225 (4)	1592250S (4)	—	250A	690V	3-30
	1622315	1592315	1592315S	—	315A	690V	3-30
NH-2	1622355	1592355	1592355S	—	355A	690V	3-30
	1622400 (5)	1592400	1592400S (5)	—	400A	500V	3-30
	1632200	—	—	—	200A	690V	3-24
NH-3C	1632250	—	—	—	250A	690V	3-24
	1632315	—	—	—	315A	690V	3-24
	1632355	—	—	—	355A	690V	3-24
	1632400	1593400 (4)	1593400S (4)	—	400A	690V	3-24
	1632500	1593500 (5)	1593500S (5)	—	500A	500V	3-24
NH-3	1632500	1593500 (5)	1593500S (5)	—	500A	500V	3-24
	1632630	1593630	1593630S (5)	—	630A	500V	3-24



(1) Un dispositivo di segnalazione permette di azionare un microinterruttore (opzionale). Per ordinare codice IW 2699800 (grandezze 00-0-1-2), codice IW 2699802 (grandezza 2C-3C-3)

(2) Da utilizzare con basi speciali complete di microinterruttore (basi tipo NHU/MS)

(3) Le grandezze 1, 2, 3 sono fornibili su richiesta, contattare servizio clienti

(4) Esecuzione non compatta

(5) Esecuzione a 690V

(6) Da utilizzare con sezionatori LTS/S

(1) A blown fuse indicator device is used to activate a microswitch (optional). Order codes: IW code 2699800 (sizes 00-0-1-2), IW code 2699802 (sizes 2C-3C-3).

(2) To be used with special bases complete with microswitch (fuse bases type NHU/MS)

(3) Sizes 1, 2, 3 are supplied upon request. Contact our Customer Service

(4) Non compact version

(5) 690V version

(6) To be used with disconnecter LTS/S

ALTRE TIPOLOGIE SPECIALI

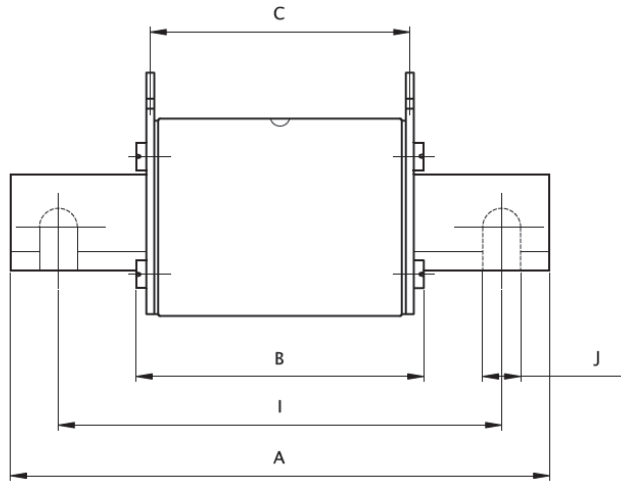
OTHER SPECIAL TYPES

grandezza size	Codice Code	In (A)	Vn (V)	conf. pack.
NH-00	1603006	6	690	3-120
	1603010	10	690	3-120
	1603016	16	690	3-120
	1603020	20	690	3-120
	1603025	25	690	3-120
	1603035	35	690	3-120
	1603040	40	690	3-120
	1603050	50	690	3-120
	1603063	63	690	3-120
	1603080	80	690	3-120
	1603100	100	690	3-120
	1603125	125	690	3-60
1603160	160	690	3-60	
NH-1L	1633050	50	1000	1
	1633063	63	1000	1
	1633080	80	1000	1
	1633100	100	1000	1
	1633125	125	1000	1
	1633160	160	1000	1
	1633200	200	1000	1
NH-4a	1631630	630	690	1
	1631700	700	690	1
	1631800	800	690	1
	1631900	900	690	1
	1631910	1000	690	1
	1631920	1250	690	1



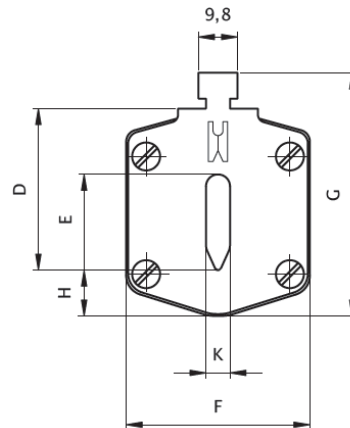
FUSIBILI SENZA PERCUSSORE

Disegno (dimensioni in mm):



FUSES WITHOUT STRIKER

Drawing (dimensions in mm):

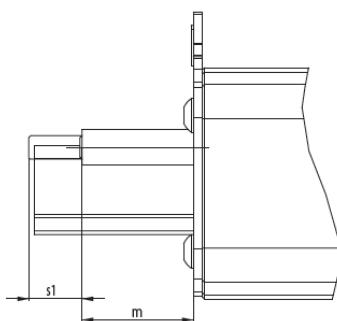


tipo type	A	B	C	D	E	F	G	H	I	J	K
NH-00C	79	53	47	35	15	21	52	7,5	–	–	6
NH-00	79	53	47	35	15	28	56	12	–	–	6
NH-0	125	68	65	35	15	28	56	12	–	–	6
NH-1C	135	68	65	40	15	28	61	12	–	–	6
NH-1	135	72	65	40	20	46	65	14	–	–	6
NH-2C	150	72	65	48	20	46	73	14	–	–	6
NH-2	150	72	65	48	26	54	73	14	–	–	6
NH-3C	150	72	65	60	26	54	84	14	–	–	6
NH-3	150	72	65	60	33	65	84	14	–	–	6
NH-4	200	75	66	87	50	100	121	24	150	16	8
NH-4a	200	99	87	85	50	95	121	27	–	–	6
NH-1 1000V~	155	90	87	40	20	45	59	9	–	–	6

FUSIBILI CON PERCUSSORE

TIPO STANDARD

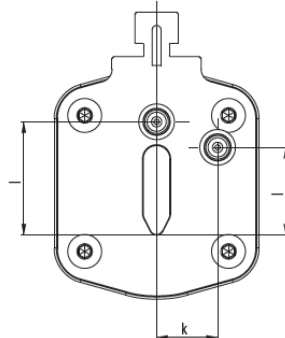
Disegno (dimensioni in mm):



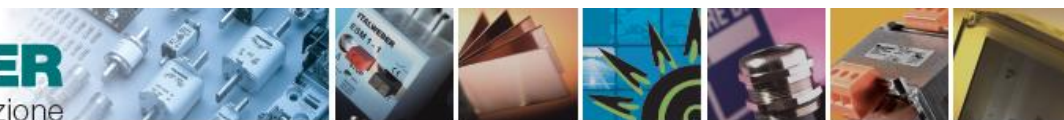
FUSES WITH STRIKER

STANDARD TYPE

Drawing (dimensions in mm):



tipo type	K	L	M	S1
NH-00C	–	20,7	16,7	7,5
NH-00	–	20,7	16,7	7,5
NH-1	13,7	19,7	25	12
NH-2	16,2	27,4	25	12
NH-3	17	35,6	25	12
NH-4a	24	49	25	12



Altre caratteristiche

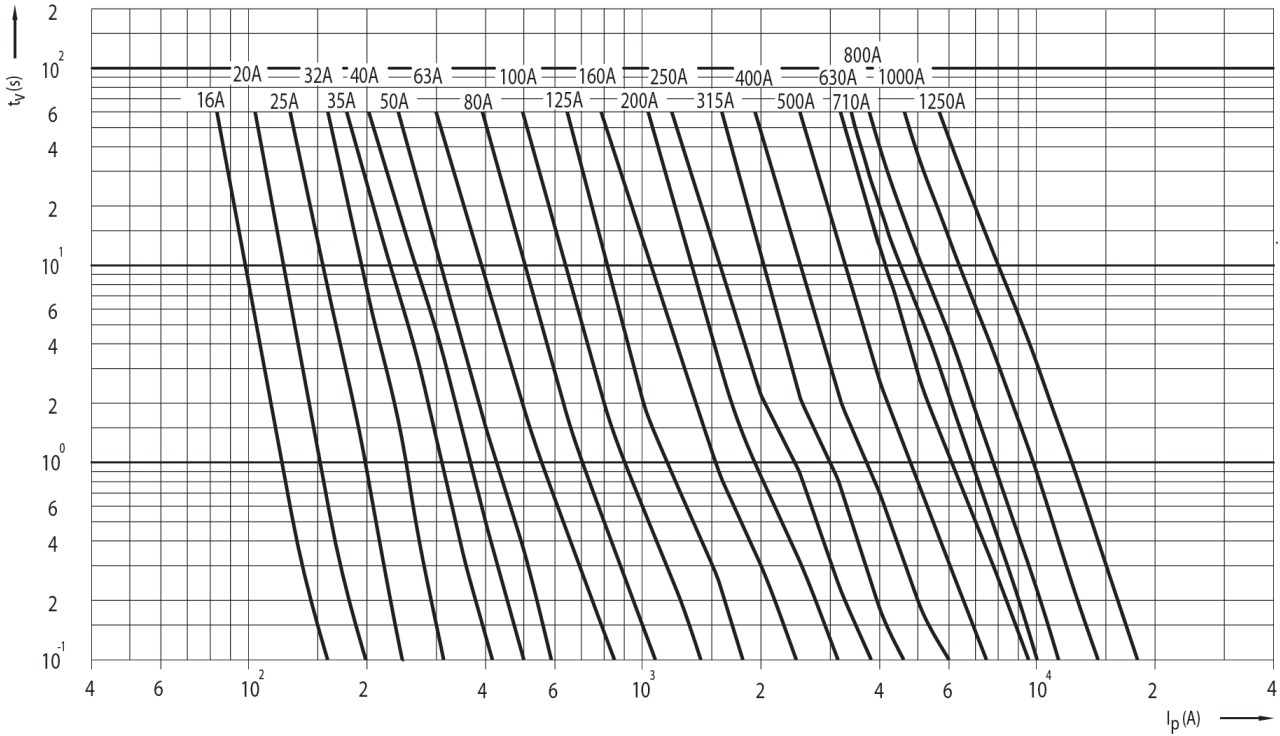
Other characteristics

In (A)	I ² t prearco (A ² s) Prearc I ² t (A ² s)	I ² t totale (A ² s) Total I ² t (A ² s)	Potenza dissipata (W) Power dissipation (W)					
			NH-00	NH-0	NH-1	NH-2	NH-3	NH-4a
6	450	1.000	0,3	0,5	—	—	—	—
10	650	2.500	0,4	0,6	—	—	—	—
16	1.100	6.000	0,7	0,9	—	—	—	—
20	1.700	8.000	1,0	1,3	—	—	—	—
25	2.800	12.000	1,3	1,7	—	—	—	—
35	4.800	14.600	1,7	2,3	2,3	—	—	—
40	5.600	17.600	1,9	2,4	—	—	—	—
50	7.000	23.400	2,4	3,1	3,1	—	—	—
63	7.500	38.000	3,8	3,9	3,9	3,8	—	—
80	14.000	55.000	4,5	4,9	4,9	4,7	—	—
100	20.000	80.000	6,2	6,5	6,5	6,3	—	—
125	35.000	130.000	6,7	8,9	8,9	8,7	—	—
160	60.000	235.000	9,4	11,2	12,4	11,0	—	—
200	120.000	360.000	—	—	13,5	13,5	13,3	—
250	200.000	700.000	—	—	21,8	21,8	20,1	—
315	300.000	1.000.000	—	—	—	25,8	25,8	—
355	480.000	1.400.000	—	—	—	29,9	30,2	—
400	—	—	—	—	—	33,7	33,4	—
500	—	—	—	—	—	—	41,0	—
630	—	—	—	—	—	—	50,0	50,0
800	—	—	—	—	—	—	—	65,5
1000	—	—	—	—	—	—	—	81,5
1250	—	—	—	—	—	—	—	110,0



Curve caratteristiche tempo / corrente

Time / current characteristic curves





Caratteristiche di limitazione:

Cut off characteristics:

