

PERFECT cable gland

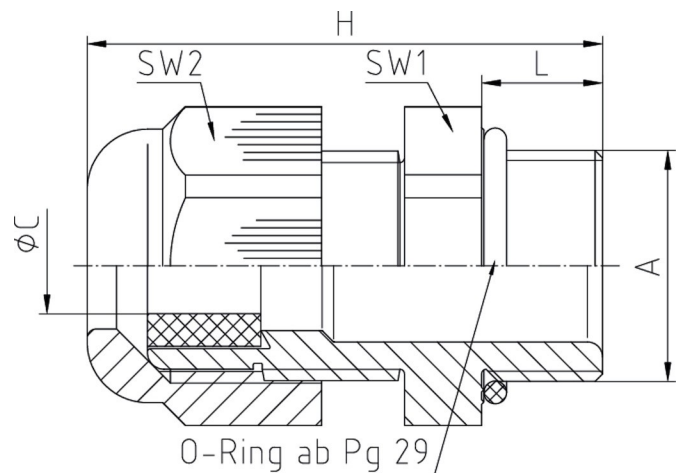
50.0xx PA/Rzzzz

Dome nut	Polyamide PA6 V-2
Sealing ring	Polychloroprene-Nitrile rubber CR/NBR
Gland body	Polyamide PA6 V-2
Connecting thread	Pg as per DIN 40430



Properties

	<ul style="list-style-type: none"> reducing sealing ring for small cable diameter integrated anchorage wide sealing and clamping range easy-to-install UV- and weather resistance according UL 514B
Temperature range	-20 °C / +100 °C (dynamic) -40 °C (static, short term)
Protection grade	IP68 5 bar
Test standard	UL 514B
UL / CSA-File	E140310
Comment	details about test results - see annex



Features



RAL 9005


Connecting thread standard length

A	ØC	L	SW1	SW2	H	VPE	Part No.
Pg 7	2 - 5	8	15	15	30,5	100	50.007 PA/RSW
Pg 9	2 - 6	8	19	19	34	100	50.009PA/R/SW
Pg 11	3 - 7	8	22	22	37	100	50.011 PA/RSW
Pg 13,5	5 - 9	9	24	24	39	100	50.013 PA/RSW
Pg 16	7 - 12	10	27	27	42,5	50	50.016 PA/RSW
Pg 21	9 - 16	11	33	33	47,5	50	50.021 PA/RSW
Pg 29	12 - 20	11	42	42	53	25	50.029 PAR/SW
Pg 36	20 - 26	13	53	53	61	10	50.036 PAR/SW



RAL 7035


Connecting thread standard length

A	ØC	L	SW1	SW2	H	 VPE	Part No.
Pg 7	2 - 5	8	15	15	30,5	100	50.007PAR7035
Pg 9	2 - 6	8	19	19	34	100	50.009PAR7035
Pg 11	3 - 7	8	22	22	37	100	50.011PAR7035
Pg 13,5	5 - 9	9	24	24	39	100	50.013PAR7035
Pg 16	7 - 12	10	27	27	42,5	50	50.016PAR7035
Pg 21	9 - 16	11	33	33	47,5	50	50.021PAR7035
Pg 29	12 - 20	11	42	42	53	25	50.029PAR7035
Pg 36	20 - 26	13	53	53	61	10	50.036PAR7035



RAL 7001

Connecting thread standard length

A	ØC	L	SW1	SW2	H	 VPE	Part No.
Pg 7	2 - 5	8	15	15	30,5	100	50.007 PA/R
Pg 9	2 - 6	8	19	19	34	100	50.009 PA/R
Pg 11	3 - 7	8	22	22	37	100	50.011 PA/R
Pg 13,5	5 - 9	9	24	24	39	100	50.013 PA/R
Pg 16	7 - 12	10	27	27	42,5	50	50.016 PA/R
Pg 21	9 - 16	11	33	33	47,5	50	50.021 PA/R
Pg 29	12 - 20	11	42	42	53	25	50.029 PA/R
Pg 36	20 - 26	13	53	53	61	10	50.036 PA/R