

## Lumiglas Luminaire Lumistar 225-LED

CE

3755.437 b

- **For mounting on sight glass fittings:**  
Suitable for combining as sight glass and light glass; can be installed on circular sight port fittings acc. to DIN 28120 DN 200
- **Application:**  
For illuminating the interiors of vessels and tanks, hoppers, silos, stirring plant and similar, usually enclosed, containers in facilities where there is no potentially explosive environment.
- **The special advantages of Lumiglas LED technology:**
  - Resistant to vibration
  - Long service life and high operating safety
  - Service life: Up to 50,000 hours
  - Optimal for fittings that are difficult to access
  - No heat radiation in light beam (cold light)
  - No additional heat which would be undesirable for chemical and/or biological processes.
  - High-definition illumination
- **Type of protection:**  
Dust- and water-jet-tight if properly installed, IP 65 acc. to EN 60529/DIN VDE 0470 Part 1
- **Operating conditions:**  
Independent of inside pressure of vessel/vacuum;  
max. admissible ambient temperature at cable gland 50°C.  
Temperature-resistant cable (e.g. Sinotherm 110 H05GG-F 3G 1.5 mm<sup>2</sup>) should be used if ambient temperatures exceed 40°C.
- **Electrical data:**
  - Operating voltage AC/DC: alternative 12 V; 24-48 V; 120-230 V
  - Lamp: 2 x 3 high-power LED
  - Power: ca. 22 W
  - Pushbutton operation possible
- **Angle of reflected beam:** 25° (alternative 10° or 40°)
- **Mechanical installation:**
  - Prior to installation, please read the information sheet 'Important guidelines for mounting sight glass fittings'
  - The luminaire is fastened to the cover flange of the circular sight glass unit by two or four bolts. The sealing between the sight glass disk of the fitting and the lamp enclosure is established by a ring gasket with bridge.
  - Fastening bolts (material stainless steel A2) are included in the scope of supply.
  - The Lumistar luminaire can be supplied complete with connecting cable at an extra charge.
- **Electrical connection:**
  - A suitable connecting cable should be selected to suit the operating conditions
  - Cable diameter should match the screwed gland (Ø 4,5-10 mm)
  - Unscrew and remove reflector
  - Strip the insulation from the cable ends
  - Guide the cable through the screwed gland into the lamp chamber and wire to terminals (max. 2.5 mm<sup>2</sup>)
  - Tighten screws
  - Replace reflector
  - Install luminaire
  - Safety precautions: Do not open the luminaire if it is still live!

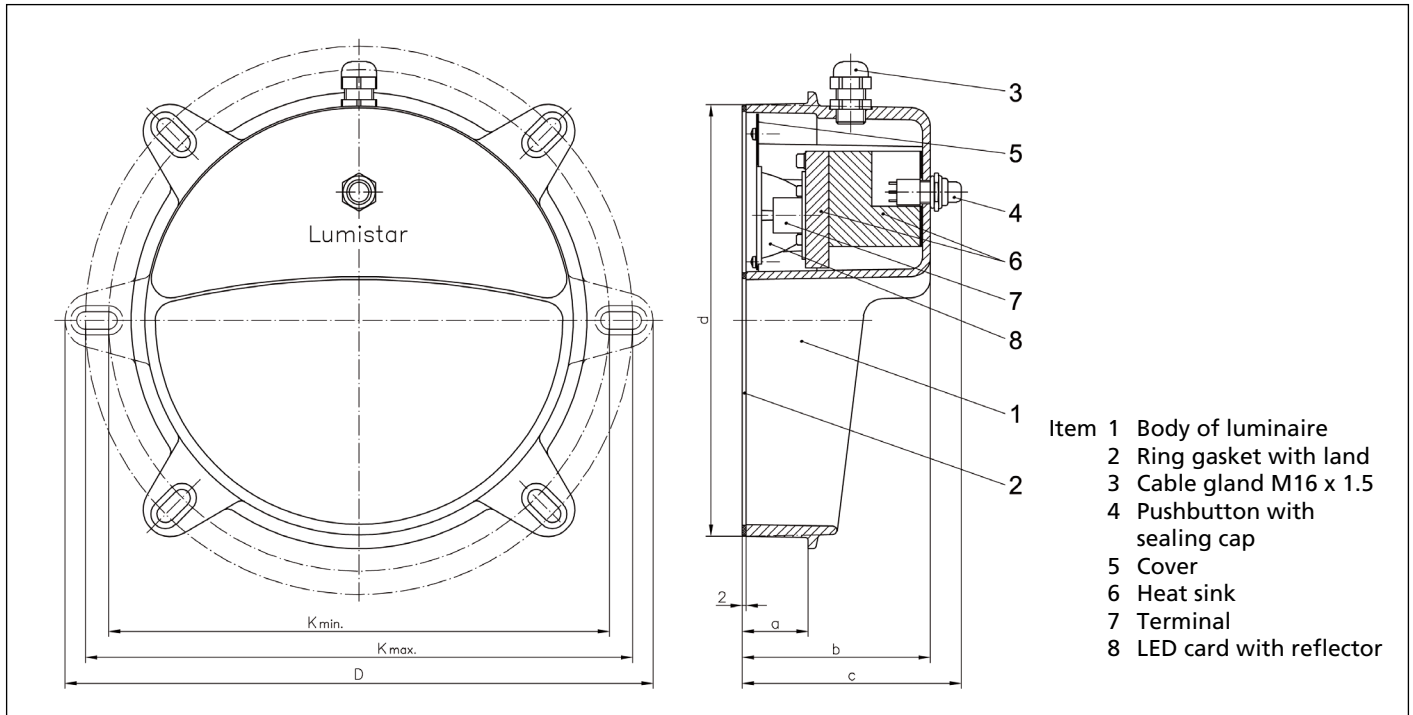


Lumiglas luminaire Lumistar 225-LED



Lumiglas luminaire Lumistar 225-LED

• Dimensions and connecting data for Lumiglas luminaire Lumistar 225-LED



Size		1	2	3
Lumistar (+ viewing diameter)		Lumistar 225-LED	Lumistar 225-LED	Lumistar 225-LED
Suitable for sight glass fitting to DIN 28120	DN	200	200	200
Operating voltage AC/DC	V	12	24-48	120-230
Power	W	22	22	22
Angle of reflected beam		25°	25°	25°
Dimensions	K min.	258	258	258
	K max.	282	282	282
	D	303	303	303
	d	222	222	222
	a	32	32	32
	b	95	95	95
	c	110	110	110
Fastening holes	oval	4 pcs.: 21 x 9	4 pcs.: 21 x 9	4 pcs.: 21 x 9
Bolts		M 8 x 16	M 8 x 16	M 8 x 16
Weight approx.	kg	2.2	2.2	2.2
Part No. without pushbutton		3544.144.00	3544.147.00	3544.141.00
Part No. with pushbutton		3544.153.00	3544.156.00	3544.150.00

Combination with type SWI screen wiper is possible!

• **Parts, construction and materials:**

Body of luminaire: Corrosion-resistant die-cast aluminium  
Paint finish: RAL 9007

• **Order data :**

e. g. Lumiglas luminaire Lumistar 225-LED, without pushbutton, 24-48 V/22 W, Part No. 3755.147.00