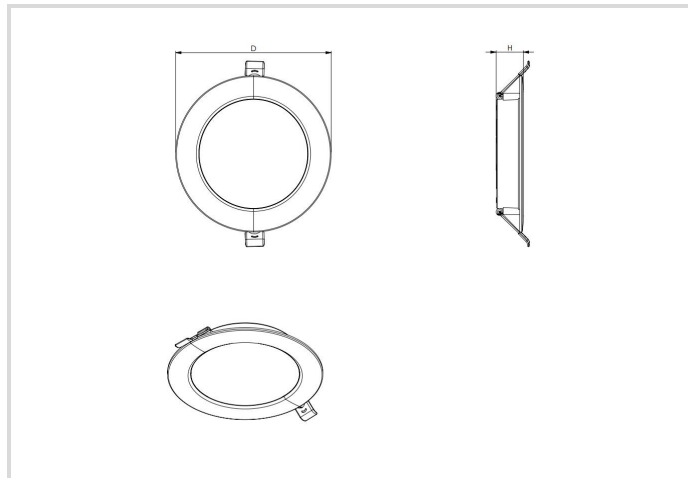


# LED Downlight Essence IP54

120-130mm 9W/840 IP54

# Radium

Product Datasheet Date: 30.06.2026



4000K



3  
YEARS  
GUARANTEE

## General Data

Article No.	DLEA5106
Code	DL E 120-130 9W/840 IP54
Product EAN	4003556015364
Box quantity (pcs.)	24
EAN Box	4003556415362
Gross weight of box in kg	3.267
Length of box in m	0.308
Width of box in m	0.226
Height of box in m	0.317
Product weight	90 g
Product status	● Active

## Electric Parameters

Max. system power	9.0 W
Power factor	0.7
Nominal voltage	220-240 V
Voltage type	AC
Nominal current	70 mA

## Electric Parameters

Nominal current (mA)	70 mA
Number of poles	2
Inrush current	1 A
Mains frequency	50/60 Hz
Dimming with push-button	No
Power Select	No

## Light Application Parameters

Luminous flux adjustable	No
Luminous flux	960 lm
Beam angle adjustable	No
Beam angle	110 °
Unified Glare Ratio (UGR)	30
Glare value	UGR $\leq$ 30
Efficacy / Luminous efficiency	100 lm/W
Colour of light adjustable	No
CCT Switch	No
Colour of light	White
Color temperature	4000 K
Color coordinate X	0.382
Color coordinate Y	0.380
Color rendering index	$\geq$ 80
Color Stability	$\leq$ 6 sdcn
Light sharing	Symmetric
With light sensor	No

## Service Life

Lifetime L70B50	30000 h
Life L80B10	30000 h
No. switching cycles	$\geq$ 50 000
Guarantee	3

## Specification

Diameter	144 mm
Length	144 mm
Height/depth	26 mm

## Specification

Width	144 mm
Cable Length	0.1 m
Impact strength	IK03
Photobiological safety according to EN 62471	RG0
Material	PC/ PS
Housing material	Plastic
Material cover	Plastic matt/satinized
Housing colour	White
With light source	Yes

## Notes on Operation

IP Class (Room/Ceiling)	IP54 / IP40
Protection class	II
Connection type	Other
Type of wiring	Ending
Max. number of luminaires per B10 circuit breaker	110
Max. number of luminaires per B16 circuit breaker	174
Ambient temperatures	-20...+40 °C
Filament test according to IEC 60695-2-11	650 °C - 30 s
Type of control gear	LED operating device voltage-controlled
With light sensor	No
With movement sensor	No
Emergency power supply integrated	No

## Information especially for EPREL

Lighting technology	LED
Mains/Non mains connectable	MLS
Directional or non-directional light	DLS
Color tunable light source	No
Type of color temperature	SINGLE_VALUE
Flicker	1.0
Stroboscopic effect	0.4
EPREL ID number	2676934

# LED Downlight Essence IP54

120-130mm 9W/840 IP54

# Radium

## Notes

Flat LED downlight IP54 for surface/recessed mounting and various ceiling cutouts, Power Select, uniform light emission.

Please, refer to [www.radium.de/recycling](http://www.radium.de/recycling) for notes on disposal of burned-out lamps as well as lamp breakage.

The "lifespan L70" described for LED lamps indicates the number of hours when the luminous flux has decreased to 70% of its initial value.

The optimal field 'info about service life' contains the frame conditions according to standards based on which the specific service life has been determined. So, for example, "12B50, 50Hz" means that the mean service life (B50) has been determined with a 12h switching cycle at mains (frequency 50Hz), "3B50, HF" is based on a 3h switching cycle at electronic control gear (high frequency).

## Special features



## General notes

The technical design data in accordance with DIN and IEC. The producer does not take any responsibility for damage to persons or property in case of unsuitable operation or handling of the product. Operating data and dimensions are valid within the usual tolerances. Related lamp types (different bases, mains voltages) may be available on request. Sale and delivery are effected in accordance with the Radium Terms of Delivery and Payment valid on the day of conclusion of contract. Packing units offer economical advantages to the purchase and logistic department. Please match your quantity volume accordingly. For orders of a minimum quantity (clefts) with a lamp model the amount lower than the volume of each packaging unit, we will invoice 10 % additional charge per lamp type. Technical changes and terms of delivery are reserved. Manipulation of any kind to packaging or product is not permissible as this will violate Radium brand rights. Furthermore, technical properties of the product can change to its disadvantage or even destruction. Therefore, Radium cannot be responsible for consequential damages.

® = Registered trademark

Subject to change without notice. Errors and omissions excepted.

All technical data without guarantee.