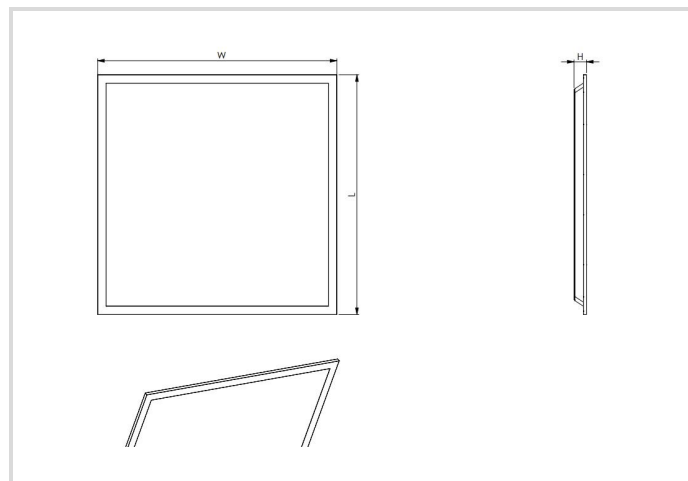


LED Grid Luminaire Essence, Panel 600

33W/840 UGR IP40

Radium

Product Datasheet Date: 30.06.2026



4000K



3
YEARS
GUARANTEE

General Data

Article No.	PNLA5076
Code	PL E 600 33W/840 UGR IP40
Product EAN	4003556015067
Box quantity (pcs.)	6
EAN Box	4003556415065
Gross weight of box in kg	11.92
Length of box in m	0.657
Width of box in m	0.24
Height of box in m	0.618
Product weight	1510 g
Product status	● Active

Electric Parameters

Max. system power	33.0 W
Power factor	0.9
Nominal voltage	220-240 V
Voltage type	AC
Nominal current	167 mA

Electric Parameters

Nominal current (mA)	167 mA
Number of poles	2
Inrush current	25.4 A
Mains frequency	50/60 Hz
Dimming with push-button	No

Light Application Parameters

Luminous flux adjustable	No
Luminous flux	4000 lm
Rated luminous flux according to IEC 62722-2-1	4000 lm
Beam angle adjustable	No
Beam angle	85 °
Unified Glare Ratio (UGR)	19
Efficacy / Luminous efficiency	120 lm/W
Colour of light adjustable	No
CCT Switch	No
Colour of light	White
Color temperature	4000 K
Color coordinate X	0.382
Color coordinate Y	0.398
Color rendering index	≥ 80
Color Stability	≤ 3 sdc _m
Light sharing	Symmetric
With light sensor	No

Service Life

Lifetime L70B50	50000 h
Life L80B10	50000 h
No. switching cycles	≥ 100.000
Guarantee	3

Specification

Length	595 mm
Height/depth	34 mm
Width	595 mm
Impact strength	IK02

Specification

Photobiological safety according to EN 62471	RG0
Material	Steel sheet/ PS
Housing material	Steel
Material cover	Plastic matt/satinized
Housing colour	White
With light source	Yes

Notes on Operation

Degree of protection (IP)	IP40
Protection class	II
Connection type	Push-in clamp
Type of wiring	Ending
Max. number of luminaires per B10 circuit breaker	22
Max. number of luminaires per B16 circuit breaker	35
Ambient temperatures	-20 ... +40 °C
Filament test according to IEC 60695-2-11	650 °C - 30 s
Type of control gear	LED operating device voltage-controlled
With light sensor	No
With movement sensor	No
Suitable for emergency lighting	No
Emergency power supply integrated	No

Information especially for EPREL

Contains a lightsource of energy efficiency class	D
Mains/Non mains connectable	MLS
Directional or non-directional light	NDLS
Color tunable light source	No
Type of color temperature	SINGLE_VALUE
Flickering value Pst LM	1
Stroboscope effect value SVM	0.4
EPREL ID number	2655166

Notes

Flat IP40 LED retrofit panel 600x600 mm, 33W with integrated LED driver, low glare (UGR), light color 4000K

Please, refer to www.radium.de/recycling for notes on disposal of burned-out lamps as well as lamp breakage.

The "lifespan L70" described for LED lamps indicates the number of hours when the luminous flux has decreased to 70% of its initial value.

The optimal field 'info about service life' contains the frame conditions according to standards based on which the specific service life has been determined. So, for example, "12B50, 50Hz" means that the mean service life (B50) has been determined with a 12h switching cycle at mains (frequency 50Hz), "3B50, HF" is based on a 3h switching cycle at electronic control gear (high frequency).

LED Grid Luminaire Essence, Panel 600

33W/840 UGR IP40

Radium

Special features



General notes

The technical design data in accordance with DIN and IEC. The producer does not take any responsibility for damage to persons or property in case of unsuitable operation or handling of the product. Operating data and dimensions are valid within the usual tolerances. Related lamp types (different bases, mains voltages) may be available on request. Sale and delivery are effected in accordance with the Radium Terms of Delivery and Payment valid on the day of conclusion of contract. Packing units offer economical advantages to the purchase and logistic department. Please match your quantity volume accordingly. For orders of a minimum quantity (clefts) with a lamp model the amount lower than the volume of each packaging unit, we will invoice 10 % additional charge per lamp type. Technical changes and terms of delivery are reserved. Manipulation of any kind to packaging or product is not permissible as this will violate Radium brand rights. Furthermore, technical properties of the product can change to its disadvantage or even destruction. Therefore, Radium cannot be responsible for consequential damages.

® = Registered trademark

Subject to change without notice. Errors and omissions excepted.

All technical data without guarantee.