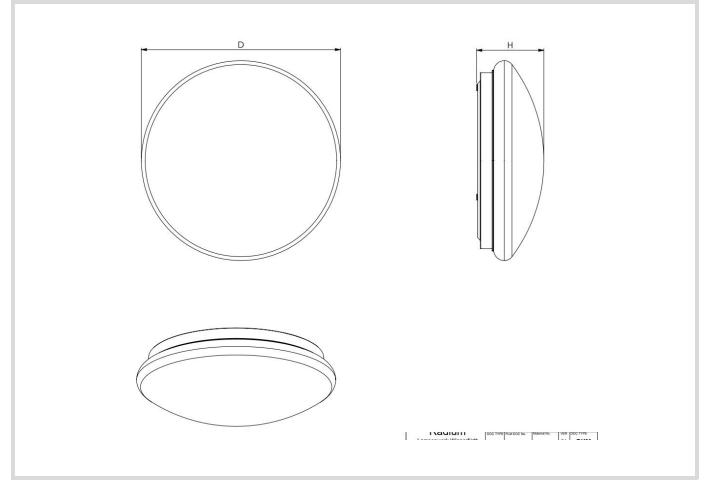


# LED Surface Luminaire Essence IP54

Surface E 250 12W CCT

# Radium

Product Datasheet Date: 30.06.2026



30004000K

## General Data

Article No.	SFEA5097
Code	SF E 250 12W CCT IP54
Product EAN	4003556015159
Box quantity (pcs.)	6
EAN Box	4003556415157
Gross weight of box in kg	3.09
Length of box in m	0.555
Width of box in m	0.281
Height of box in m	0.292
Product weight	310 g
Product status	● Active

## Electric Parameters

Max. system power	12.0 W
Power factor	0.7
Nominal voltage	220-240 V
Voltage type	AC
Nominal current	90 mA

## Electric Parameters

Nominal current (mA)	90 mA
Inrush current	1 A
Mains frequency	50/60 Hz
Dimming with push-button	No

## Light Application Parameters

Luminous flux adjustable	No
Factory setting luminous flux	1025 lm
Luminous flux	1025 lm
Rated luminous flux according to IEC 62722-2-1	1025 lm
Luminous flux @3000K	950 lm
Luminous flux @4000K	1025 lm
Beam angle adjustable	No
Beam angle	120 °
Unified Glare Ratio (UGR)	28
Efficacy / Luminous efficiency	85 lm/W
Colour of light adjustable	Positions
Factory setting color temperature	4000 K
CCT Switch	No
Colour of light	White
Color temperature	3000 / 4000 K
Color coordinate X	0.434
Color coordinate Y	0.403
Color rendering index	≥ 80
Color Stability	≤ 6 sdc <sub>m</sub>
With light sensor	No

## Service Life

Lifetime L70B50	30000 h
Life L80B10	30000 h
No. switching cycles	≥ 50.000
Guarantee	3

## Specification

Diameter	250 mm
Length	250 mm

## Specification

Height/depth	80 mm
Width	250 mm
Impact strength	IK03
Photobiological safety according to EN 62471	RG0
Material	Steel sheet/ PMMA
Housing material	Plastic
Material cover	Plastic matt/satinized
Housing colour	White
With light source	Yes

## Notes on Operation

Degree of protection (IP)	IP54
Protection class	I
Connection type	Push-in clamp
Type of wiring	Ending
Max. number of luminaires per B10 circuit breaker	82
Max. number of luminaires per B16 circuit breaker	130
Filament test according to IEC 60695-2-11	650 °C - 30 s
Type of control gear	LED operating device voltage-controlled
With light sensor	No
With movement sensor	No
Suitable for emergency lighting	No
Emergency power supply integrated	No

## Information especially for EPREL

Mains/Non mains connectable	MLS
Directional or non-directional light	NDLS
Color tunable light source	Yes
Type of color temperature	STEPS
Flickering value Pst LM	1
Stroboscope effect value SVM	0.4
EPREL ID number	2676268

# LED Surface Luminaire Essence IP54

Surface E 250 12W CCT

# Radium

## Notes

Versatile LED wall and ceiling luminaire, IP54 rated, impact-resistant, integrated LED driver, adjustable light color (stepped), low glare (UGR > 19)

Please, refer to [www.radium.de/recycling](http://www.radium.de/recycling) for notes on disposal of burned-out lamps as well as lamp breakage.

The "lifespan L70" described for LED lamps indicates the number of hours when the luminous flux has decreased to 70% of its initial value.

The optimal field 'info about service life' contains the frame conditions according to standards based on which the specific service life has been determined. So, for example, "12B50, 50Hz" means that the mean service life (B50) has been determined with a 12h switching cycle at mains (frequency 50Hz), "3B50, HF" is based on a 3h switching cycle at electronic control gear (high frequency).

## Special features



## General notes

The technical design data in accordance with DIN and IEC. The producer does not take any responsibility for damage to persons or property in case of unsuitable operation or handling of the product. Operating data and dimensions are valid within the usual tolerances. Related lamp types (different bases, mains voltages) may be available on request. Sale and delivery are effected in accordance with the Radium Terms of Delivery and Payment valid on the day of conclusion of contract. Packing units offer economical advantages to the purchase and logistic department. Please match your quantity volume accordingly. For orders of a minimum quantity (clefts) with a lamp model the amount lower than the volume of each packaging unit, we will invoice 10 % additional charge per lamp type. Technical changes and terms of delivery are reserved. Manipulation of any kind to packaging or product is not permissible as this will violate Radium brand rights. Furthermore, technical properties of the product can change to its disadvantage or even destruction. Therefore, Radium cannot be responsible for consequential damages.

® = Registered trademark

Subject to change without notice. Errors and omissions excepted.

All technical data without guarantee.