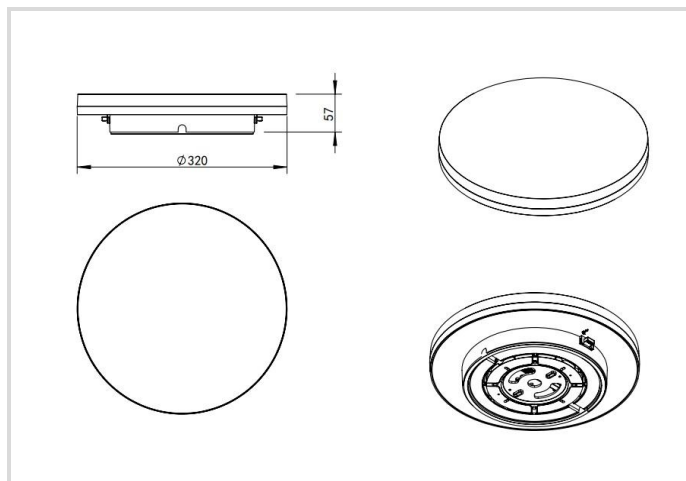


LED Surface Luminaire Star IP54 SENSOR

Surface S 320mm 20W PS CCT

Radium

Product Datasheet Date: 30.06.2026



30006000K

General Data

Article No.	SFSA5127
Code	SF S 320 20W PS CCT IP54 SENSOR
Product EAN	4003556015548
Box quantity (pcs.)	10
EAN Box	4003556415546
Gross weight of box in kg	13.53
Length of box in m	0.685
Width of box in m	0.365
Height of box in m	0.355
Product weight	1070 g
Product status	● Active

Electric Parameters

Factory setting wattage	20.0 W
Max. system power	20.0 W
Power factor	0.9
Nominal voltage	220-240 V
Voltage type	AC

LED Surface Luminaire Star IP54 SENSOR

Surface S 320mm 20W PS CCT

Radium

Electric Parameters

Factory setting lamp current	280 mA
Nominal current	280-280 mA
Nominal current (mA)	280 mA
Inrush current	22 A
Mains frequency	50/60 Hz
dimmable	No
Dimming with push-button	No

Light Application Parameters

Luminous flux adjustable	Positions
Factory setting luminous flux	2400 lm
Luminous flux	2400 lm
Rated luminous flux according to IEC 62722-2-1	2400 lm
Luminous flux @3000K	1140-2280 lm
Luminous flux @4000K	1200-2400 lm
Luminous flux Q 6000/6500K	1200-2400 lm
Beam angle adjustable	No
Beam angle	110 °
Unified Glare Ratio (UGR)	25
Efficacy / Luminous efficiency	120 lm/W
Colour of light adjustable	Positions
Factory setting color temperature	4000 K
CCT Switch	No
Colour of light	White
Color temperature	3000 / 4000 / 6000 K
Color coordinate X	0.367
Color coordinate Y	0.361
Color rendering index	≥ 90
Color Stability	≤ 5 sdcn
With light sensor	Yes

Service Life

Lifetime L70B50	70000 h
Life L80B10	70000 h
No. switching cycles	≥ 10.000
Guarantee	5

LED Surface Luminaire Star IP54 SENSOR

Surface S 320mm 20W PS CCT

Radium

Specification

Diameter	320 mm
Length	320 mm
Height/depth	57 mm
Width	320 mm
Impact strength	IK10
Photobiological safety according to EN 62471	RG0
Material	PC
Housing material	Plastic
Material cover	Plastic matt/satinized
Housing colour	White
With light source	Yes

Notes on Operation

Degree of protection (IP)	IP54
Protection class	II
Connection type	Push-in clamp
Type of wiring	Suitable for through wiring
Max. number of luminaires per B10 circuit breaker	36
Max. number of luminaires per B16 circuit breaker	58
Ambient temperatures	-20 ... +40 °C
Filament test according to IEC 60695-2-11	850 °C - 30 s
Type of control gear	LED operating device voltage-controlled
With light sensor	Yes
With movement sensor	Yes
Suitable for emergency lighting	No
Emergency power supply integrated	No

Information especially for EPREL

Contains a lightsource of energy efficiency class	E
Mains/Non mains connectable	MLS
Directional or non-directional light	NDLS
Color tunable light source	Yes
Type of color temperature	STEPS
Color rendering index R9	86
Flickering value Pst LM	1
Stroboscope effect value SVM	0.4

LED Surface Luminaire Star IP54 SENSOR

Surface S 320mm 20W PS CCT

Radium

Information especially for EPREL

EPREL ID number

2554272

Notes

High-efficient, universal LED wall and ceiling luminaire IP54, integrated LED driver with power select and sensor, adjustable light color (steps)

Please, refer to www.radium.de/recycling for notes on disposal of burned-out lamps as well as lamp breakage.

The "lifespan L70" described for LED lamps indicates the number of hours when the luminous flux has decreased to 70% of its initial value.

The optimal field 'info about service life' contains the frame conditions according to standards based on which the specific service life has been determined. So, for example, "12B50, 50Hz" means that the mean service life (B50) has been determined with a 12h switching cycle at mains (frequency 50Hz), "3B50, HF" is based on a 3h switching cycle at electronic control gear (high frequency).

Special features



General notes

The technical design data in accordance with DIN and IEC. The producer does not take any responsibility for damage to persons or property in case of unsuitable operation or handling of the product. Operating data and dimensions are valid within the usual tolerances. Related lamp types (different bases, mains voltages) may be available on request. Sale and delivery are effected in accordance with the Radium Terms of Delivery and Payment valid on the day of conclusion of contract. Packing units offer economical advantages to the purchase and logistic department. Please match your quantity volume accordingly. For orders of a minimum quantity (clefts) with a lamp model the amount lower than the volume of each packaging unit, we will invoice 10 % additional charge per lamp type. Technical changes and terms of delivery are reserved. Manipulation of any kind to packaging or product is not permissible as this will violate Radium brand rights. Furthermore, technical properties of the product can change to its disadvantage or even destruction. Therefore, Radium cannot be responsible for consequential damages.

® = Registered trademark

Subject to change without notice. Errors and omissions excepted.

All technical data without guarantee.