

IK07

IP66

ECA

L70

110,000
HOURS

L80

85,000
HOURS5
YEARS'
WARRANTYNEXT DAY
DELIVERY

EXTERIOR RANGE

VENTURE
LIGHTING

PORTLAND

FLOODLIGHT

Our **new** floodlight features an impressive 125 lumens per Watt in a **compact** and **thermally efficient** housing. **Versatile mounting options** make the Portland at home in any application and **precise asymmetric light distribution** ensures every lumen is placed exactly where you need it. The ideal solution for professional lighting designs.

45W Portland Floodlight, 840, D6

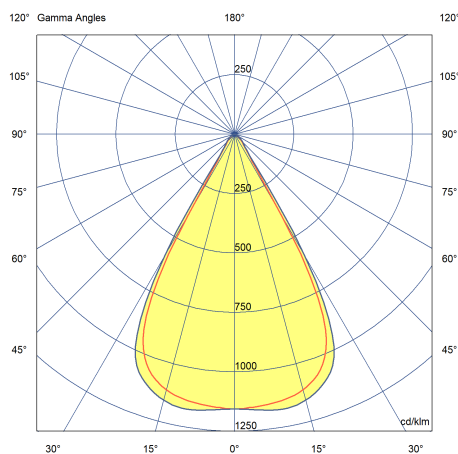
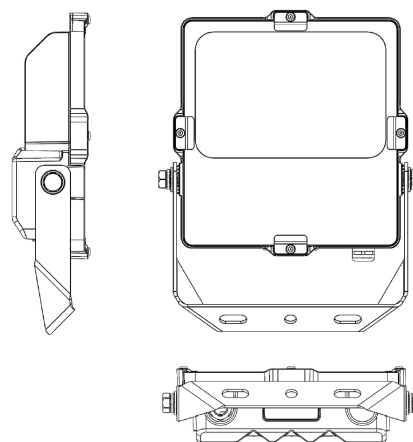
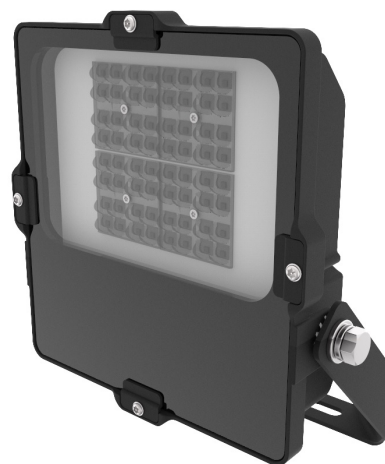
Order Code: FLD150-D6

| Photometric Data | |
|------------------------------|----------------|
| Colour Rendering Index (CRI) | 80-89 |
| Lumens | 6250 |
| LPW (lm/W) | 125 |
| Colour Temperature (K) | 4000 - 4000 |
| SDCM | <6 |
| Light Distribution | Symmetric |
| Lens / Reflector | Reflector Lens |

| Life Data | | | | | |
|--------------------------|----------|--------|-----------|-------|-------|
| Rated Life (Hrs) | Ta = 25C | | Ta = Tmax | | |
| | | 110000 | | 50000 | |
| Lumens Maintenance (Hrs) | Ta = 25C | | Ta = Tmax | | |
| | B50 | B10 | B50 | B10 | |
| | L70 | 110000 | 110000 | 50000 | 50000 |
| | L80 | 89000 | 77000 | 50000 | 50000 |
| | L90 | 42000 | 36000 | 42000 | 36000 |

| Electrical Data | |
|---------------------------------|------------------|
| Input (W) | 50 |
| Input (V)±10% | 100 - 240 |
| Voltage Type | AC |
| Power Factor | 0.9 |
| THD (%) | 5 |
| No. Per C16 Breaker | 24 |
| Energy Efficiency Class (EEC) | A++, A+, A (LED) |
| Electrical Class | I |
| Short Circuit Protection | Yes |
| Thermal Overload Protection | Yes |
| Over Voltage Protection | Yes |
| Type of Wiring | Ending |
| Wiring X-sec (mm ²) | 1.5 |
| Non-dimmable | Yes |

| Physical Data | |
|--|----------------------|
| Surface Protection | Powder Coating |
| Degree of Protection (IP) | IP66 |
| Housing Colour | Black |
| Housing Material | Aluminium |
| Reflector | None |
| Length (mm) | 300 |
| Width (mm) | 240 |
| Height/Depth (mm) | 69 |
| Suitable for ceiling mounting | Yes |
| Suitable for wall mounting | Yes |
| Suitable for surface mounting | Yes |
| Lamp Type | LED Not Exchangeable |
| Surface Protection | Powder Coating |
| Cover Material | Transparent Glass |
| Impact Strength | IK07 |
| Floodlight Head Weight (kg) | 2.2 |
| Maximum Projected Area (m ²) | 0.072 |



45W Portland Floodlight, 840, D6



Order Code: FLD150-D6

Environmental Data

| | |
|--------------------------------------|-----------|
| Ambient Rated Temperature Range (°C) | -30 to 40 |
|--------------------------------------|-----------|

Accessories

ACS187 - 42mm Pole Mount Bracket

ACS188 - 60mm Pole Mount Bracket

ACS189 - 76mm Pole Mount Bracket

Logistical Data

| | |
|------------------------|-----|
| Item Gross Weight (kg) | 2.9 |
|------------------------|-----|

| | |
|-----------------------|----|
| Packaging Length (cm) | 35 |
|-----------------------|----|

| | |
|----------------------|------|
| Packaging Width (cm) | 27.5 |
|----------------------|------|

| | |
|-----------------------|------|
| Packaging Height (cm) | 11.5 |
|-----------------------|------|