

Technical Data Sheet

CODE 10904

AXIAL K

In-Line centrifugal fans for kitchen cabinet
(UK EXP)



Certifications



IMQ



CE



IMQ Performance



EAC

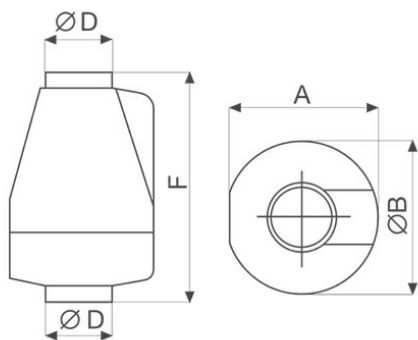


G-Mark

TECHNICAL AND PERFORMANCE DATA

Absorbed Current max (A)	0,13	Voltage (V)	220-240
Absorbed Power max (W)	27	Weight (Kg)	1,2
Frequency (Hz)	50	Delivery max (l/s)	37,5
Insulation Class	II°	Delivery max (m ³ /h)	135
IP	X2	Pressure max (mmH2O)	17
Max ambient temperature for continuous operation (°C)	40	Pressure max (Pa)	167
Nominal Diameter (mm)	100	RPM	2560
		Sound Pressure level Lp [dB (A)] 3m	41

DIMENSIONS



Size A (mm)	168
Size B (mm)	Ø 176
Size D (mm)	Ø 97
Size F (mm)	270

PER INFORMAZIONI:

Servizio al Cliente: tel +39 02 90699395 premendo 1 dopo messaggio registrato (consulenza su prodotti e impianti)

Pre & Post Vendita: fax +39 02 90699302

Email prevendita: prevendita@vortice-italy.com

Technical Data Sheet

CODE 10904

AXIAL K

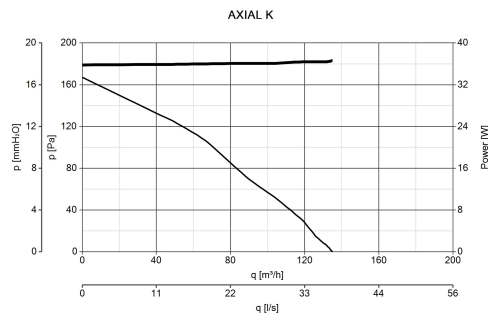
In-Line centrifugal fans for kitchen cabinet
(UK EXP)



DESCRIPTION

- Material: UV resistant plastic (prevents ageing caused by exposure to sunlight).
- Nominal diameter: 100 mm
- 1 speed motor with thermal overload protection and shaft turning in self-lubricating bushings, coupled to a centrifugal impeller.
- Maximum air flow 135 m³/h
- Protective grille on inlet port
- IMQ SAFETY and IMQ PERFORMANCE certifications
- Vortice speed controller.

CURVES



ACCESSORIES



SCNRB
SCAT.COM.NON
REV.INCASSO
Code 12971



DEVIATORE DI
FLUSSO M 10/4
Code 22310



CA-MU (STAFFE
DI SOSTEGNO)
Code 22674



C 1.5
(COMANDO EL.
1.5 A)
Code 12966

PER INFORMAZIONI:

Servizio al Cliente: tel +39 02 90699395 premendo 1 dopo messaggio registrato (consulenza su prodotti e impianti)
Pre & Post Vendita: fax +39 02 90699302
Email prevendita: prevendita@vortice-italy.com