

Technical Data Sheet

CODE 11268

ME 100/4" ES

Energy Saving wall axial fans



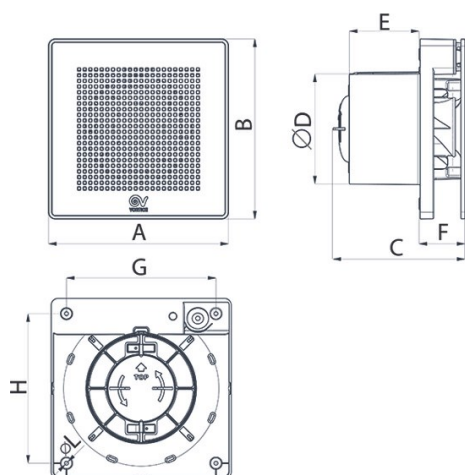
Certifications



TECHNICAL AND PERFORMANCE DATA

Absorbed power 1st speed (W)	2,1	Delivery 1st speed (m ³ /h)	65
Frequency (Hz)	50	Max delivery at max speed (l/s)	26,4
Insulation Class	II°	Max delivery at max speed (m ³ /h)	95
IP	45	Pressure - 1st speed (mmH2O)	2,7
Max ambient temperature for continuous operation (°C)	50	Pressure - 1st speed (Pa)	26,5
Max. absorbed Current at max. speed (A)	0,041	Pressure max - max speed (mmH2O)	5,1
Max. absorbed Current at min. speed (A)	0,030	Pressure max - max speed (Pa)	50
Max. absorbed power at max speed (W)	3,6	RPM max	2280
Nominal Diameter (mm)	100	RPM min	1680
Voltage (V)	230	Sound power Lw [dB(A)] - min speed	41,5
Weight (Kg)	0,64	Sound power Lw [dB(A)] - max speed	48,3
Delivery 1st speed (l/s)	18,1	Sound pressure level Lp in free field [dB(A)] 3 m max speed	27,8
		Sound pressure level Lp in free field [dB(A)] 3 m min speed	21,0

DIMENSIONS



Size A (mm)	159
Size B (mm)	159
Size C (mm)	132
Size D (mm)	∅ 98
Size E (mm)	77,5
Size F (mm)	40,5
Size G (mm)	132
Size H (mm)	132
Size L (mm)	∅ 3.5

PER INFORMAZIONI:

Servizio al Cliente: tel +39 02 90699395 premendo 1 dopo messaggio registrato (consulenza su prodotti e impianti)

Pre & Post Vendita: fax +39 02 90699302

Email prevendita: prevendita@vortice-italy.com

Technical Data Sheet

CODE 11268

ME 100/4" ES

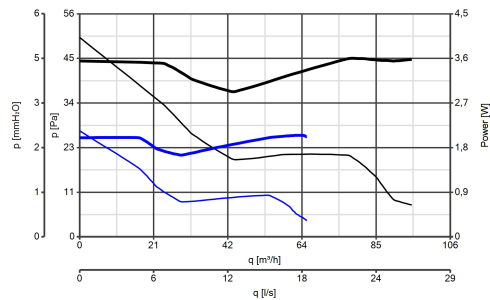
Energy Saving wall axial fans



DESCRIPTION

- Material: UV resistant plastic (prevents ageing caused by exposure to sunlight).
- Nominal diameter: 100 mm
- EC motor protected against thermal overload, with shaft turning in ball bearings; 2 operating speeds controlled electronically from pcb.
- Maximum air flow 65 m³/h
- Equipped with non-return damper preventing unwanted backdraught when the fan is off.
- Fixed timer: the product works for 6 minutes at maximum speed, then automatically return to minimum.
- IMQ safety certification.

CURVES



PER INFORMAZIONI:

Servizio al Cliente: tel +39 02 90699395 premendo 1 dopo messaggio registrato (consulenza su prodotti e impianti)
Pre & Post Vendita: fax +39 02 90699302
Email prevendita: prevendita@vortice-italy.com