

# Technical Data Sheet

CODE 11631

## VORT HRW 20 MONO HCS

Decentralised heat recovery unit



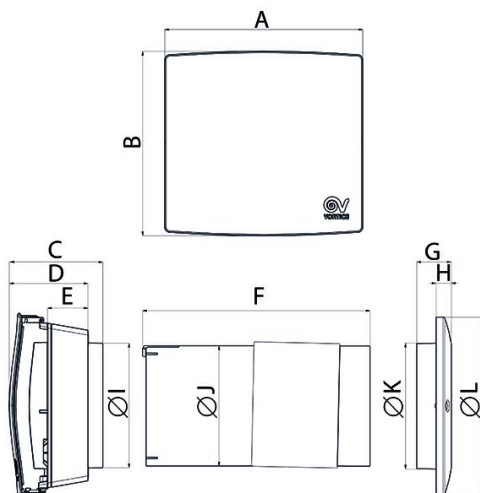
### Certifications



### TECHNICAL AND PERFORMANCE DATA

Absorbed Current max (A)	0.05	Delivery 1st speed (m <sup>3</sup> /h)	10.0
Absorbed power 1st speed (W)	1.0	Delivery max (l/s)	11.3
Absorbed Power max (W)	5.0	Delivery max (m <sup>3</sup> /h)	41
Filter class	G3	Max delivery at max speed (l/s)	11.3
Frequency (Hz)	50	Max delivery at max speed (m <sup>3</sup> /h)	41
Insulation Class	II <sup>o</sup>	Maximum thermal efficiency (%)	90
IP	X4	Pressure - 1st speed (mmH2O)	0.635
Max. absorbed Current at max. speed (A)	0.05	Pressure - 1st speed (Pa)	6.22
Max. absorbed Current at min. speed (A)	0.015	Pressure max - max speed (mmH2O)	4.1
Max. absorbed power at max speed (W)	5.0	Pressure max - max speed (Pa)	40.6
Nominal Diameter (mm)	160	Pressure max (mmH2O)	4.1
Voltage (V)	230	Pressure max (Pa)	40.6
Weight (Kg)	2,6	Sound pressure level Lp in free field [dB(A)] 3 m max speed	23.6
Delivery 1st speed (l/s)	2.77	Sound pressure level Lp in free field [dB(A)] 3 m min speed	<16

### DIMENSIONS



Size A (mm)	240
Size B (mm)	224
Size C (mm)	113
Size D (mm)	95
Size E (mm)	49
Size F (mm)	275
Size G (mm)	42
Size H (mm)	18
Size I (mm)	∅ 151
Size J (mm)	∅ 146
Size K (mm)	∅ 153
Size L (mm)	∅ 216

#### PER INFORMAZIONI:

Servizio al Cliente: tel +39 02 90699395 premendo 1 dopo messaggio registrato (consulenza su prodotti e impianti)

Pre & Post Vendita: fax +39 02 90699302

Email prevendita: [prevendita@vortice-italy.com](mailto:prevendita@vortice-italy.com)

# Technical Data Sheet

CODE 11631

## VORT HRW 20 MONO HCS

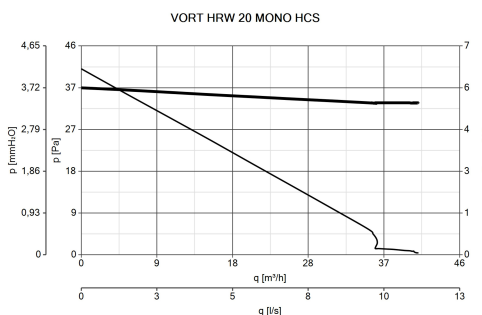
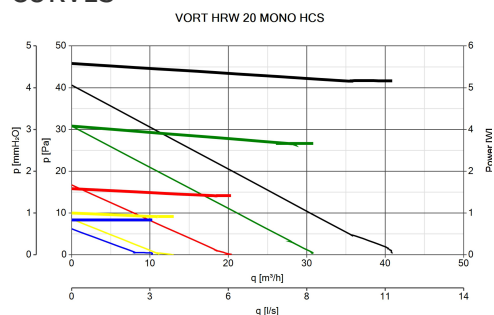
Decentralised heat recovery unit



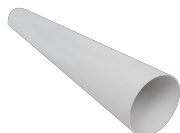
### DESCRIPTION

- Plastic (PPE) enclosure
- Inner panel in plastic polymer (ABS), lined with insulating material.
- Low voltage ball bearing EC (brushless) motor.
- 5 speeds corresponding to different airflow levels: 10 m<sup>3</sup>/h; 16 m<sup>3</sup>/h; 22 m<sup>3</sup>/h; 30 m<sup>3</sup>/h and 40 m<sup>3</sup>/h.
- High efficiency ceramic heat exchanger.
- Rubber made grille, with easy mount from inside.
- Mesh to be inserted at installation in the duct together with the external grille
- Nominal hole diameter: 160 mm
- Integrated washable G3 filter, easily accessible for maintenance.
- On-board commands for switching on/off and selection of operation mode.
- Compatible with wall wiring connection
- Electronic board with integrated power supply.
- Humidistat function piloted by RH sensor (4 preset thresholds: 60%, 70%, 80%, 90%, selectable during installation), designed to automatically switch on or pass at maximum speed the fan. The pcb allows to automatically shut off the motor or to come back at preset speed, when relative humidity returns below the threshold value.
- Filter status indicator LED.
- 3 operation modes:
  - o Ventilation with heat recovery;
  - o Extraction;
  - o Intake.

### CURVES



### ACCESSORIES



**TUBO PVC**  
**D.160 L=700**  
**(HRW)**  
Code 22599



**KIT FILTRI HRW**  
**20 MONO**  
Code 22466



**MWS**  
Code 21148



**RGR**  
Code 21190

#### PER INFORMAZIONI:

Servizio al Cliente: tel +39 02 90699395 premendo 1 dopo messaggio registrato (consulenza su prodotti e impianti)  
Pre & Post Vendita: fax +39 02 90699302  
Email prevendita: [prevendita@vortice-italy.com](mailto:prevendita@vortice-italy.com)