

Technical Data Sheet

CODE 11671

VORT HRW 20 MONO D

Decentralised heat recovery unit



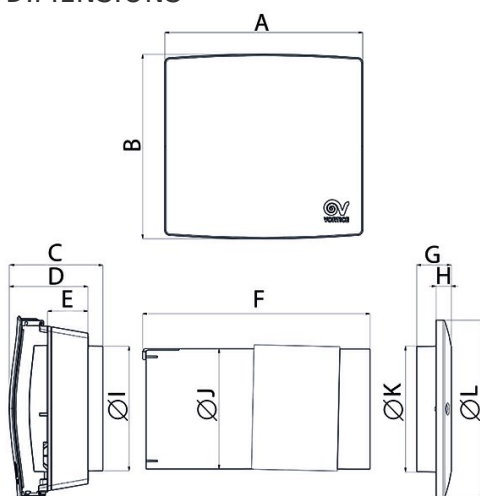
Certifications



TECHNICAL AND PERFORMANCE DATA

| | | | |
|---|-------|---|-------|
| Absorbed Current max (A) | 0.05 | Max delivery at max speed (m ³ /h) | 42 |
| Absorbed power 1st speed (W) | 1.0 | Maximum thermal efficiency (%) | 89 |
| Absorbed Power max (W) | 5,5 | Pressure - 1st speed (mmH2O) | 0.612 |
| Frequency (Hz) | 50 | Pressure - 1st speed (Pa) | 6 |
| Insulation Class | II° | Pressure max - max speed (mmH2O) | 4.28 |
| IP | X4 | Pressure max - max speed (Pa) | 42 |
| Max. absorbed Current at max. speed (A) | 0.05 | Sound power Lw [dB(A)] - min speed | 23 |
| Max. absorbed Current at min. speed (A) | 0.015 | Sound power Lw [dB(A)] - max speed | 50 |
| Max. absorbed power at max speed (W) | 5,5 | Sound pressure level Lp [dB (A)] 1m - max speed | 39 |
| Voltage (V) | 230 | Sound pressure level Lp [dB (A)] 1m - min speed | < 16 |
| Weight (Kg) | 2,25 | Sound pressure level Lp [dB (A)] 3m - max speed | 29.5 |
| Delivery 1st speed (l/s) | 2.5 | Sound pressure level Lp [dB (A)] 3m - min speed | < 16 |
| Delivery 1st speed (m ³ /h) | 9 | Sound pressure level Lp in free field [dB(A)] 3 m | 22 |
| Max delivery at max speed (l/s) | 11.67 | Sound pressure level Lp in free field [dB(A)] 3 m max speed | 26 |
| | | Sound pressure level Lp in free field [dB(A)] 3 m min speed | 16 |

DIMENSIONS



| | |
|-------------|-------|
| Size A (mm) | 240 |
| Size B (mm) | 224 |
| Size C (mm) | 80 |
| Size D (mm) | 64 |
| Size E (mm) | 17 |
| Size F (mm) | 275 |
| Size G (mm) | 42 |
| Size H (mm) | 18 |
| Size I (mm) | ∅ 151 |
| Size J (mm) | ∅ 146 |
| Size K (mm) | ∅ 153 |
| Size L (mm) | ∅ 216 |

PER INFORMAZIONI:

Servizio al Cliente: tel +39 02 90699395 premendo 1 dopo messaggio registrato (consulenza su prodotti e impianti)

Pre & Post Vendita: fax +39 02 90699302

Email prevendita: prevendita@vortice-italy.com

Technical Data Sheet

CODE 11671

VORT HRW 20 MONO D

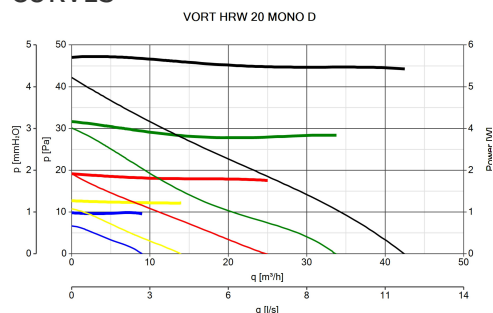
Decentralised heat recovery unit



DESCRIPTION

- Plastic (PPE) enclosure
- Inner panel in plastic polymer (ABS), lined with insulating material.
- Low voltage ball bearing EC (brushless) motor.
- 5 speeds corresponding to different airflow levels: 9 m³/h; 16 m³/h; 22 m³/h; 30 m³/h and 42 m³/h.
- High efficiency ceramic heat exchanger.
- Plastic resin made external grille, with integrated insect net.
- Nominal hole diameter: 160 mm
- Integrated washable G3 filter, easily accessible for maintenance.
- Predisposition for in-wall wiring.
- Wired remote control for recessed installation (code 21145) to be housed in Standard circular DIN box. The control integrates LED lights showing product operation and filter status.
- Electronic board allowing to pair 3 different power supplies (supplied as optional) for recessed or switchboard (on DIN rails) installation, designed to supply up to 4 or 6 products.
- Prepared to be paired to an infra-red remote control.
- 4 operation modes:
 - o Natural ventilation (product is switched off)
 - o Ventilation with heat recovery;
 - o Extraction;
 - o Intake.
- Possibility of automatic ventilation controlled by (optional) temperature and RH sensors.

CURVES



ACCESSORIES



TUBO PVC
D.160 L=700
(HRW)
Code 22599



HRW RC D
Code 21145



MWS
Code 21148



PS24W
Code 21187

PER INFORMAZIONI:

Servizio al Cliente: tel +39 02 90699395 premendo 1 dopo messaggio registrato (consulenza su prodotti e impianti)
Pre & Post Vendita: fax +39 02 90699302
Email prevendita: prevendita@vortice-italy.com