

Technical Data Sheet

CODE 11996

VORT PRESS 110 LL I T

Centrifugal duct fans



Certifications



IMQ



CE



IMQ Performance

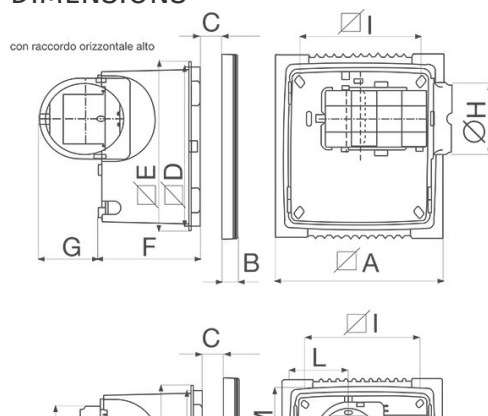


EAC

TECHNICAL AND PERFORMANCE DATA

Absorbed power 1st speed (W)	12	Max delivery of side outlet at max speed (m ³ /h)	100
Frequency (Hz)	50	Max delivery of side outlet at min speed (l/s)	13,9
Insulation Class	II°	Max delivery of side outlet at min speed (m ³ /h)	50
IP	X4	Max pressure at side outlet - max speed (mmH2O)	13,5
Max ambient temperature for continuous operation (°C)	40	Max pressure at side outlet - min speed (mmH2O)	8,3
Max. absorbed Current at max. speed (A)	0,18	Max pressure at side outlet - min speed (Pa)	81
Max. absorbed Current at min. speed (A)	0,07	Max pressure at side outlet (Pa)	132
Max. absorbed power at max speed (W)	24	Pressure - 1st speed (mmH2O)	8,9
Nominal Diameter (mm)	100	Pressure - 1st speed (Pa)	87
Ø Discharge Hole (mm)	96,5	Pressure max - max speed (mmH2O)	14,5
Voltage (V)	220-240	Pressure max - max speed (Pa)	142
Weight (Kg)	2,1	RPM max	1720
Delivery 1st speed (l/s)	16,7	RPM min	970
Delivery 1st speed (m ³ /h)	60	RPM side air outlet - max speed	1980
Max delivery at max speed (l/s)	33,3	RPM side air outlet - min speed	1090
Max delivery at max speed (m ³ /h)	120	Sound pressure level Lp [dB (A)] 3m - max speed	41
Max delivery of side outlet at max speed (l/s)	27,8	Sound pressure level Lp [dB (A)] 3m - min speed	30

DIMENSIONS



Size A (mm)	252
Size B (mm)	23
Size C (mm)	65
Size D (mm)	214,5
Size E (mm)	228
Size F (mm)	135,3
Size G (mm)	31,5/76,7
Size H (mm)	Ø
	96,5
Size I (mm)	180
Size J (mm)	92
Size K (mm)	76
Size L (mm)	92
Size M (mm)	76

PER INFORMAZIONI:

Servizio al Cliente: tel +39 02 90699395 premando 1 dopo messaggio registrato (consulenza su prodotti e impianti)

Pre & Post Vendita: fax +39 02 90699302

Email prevendita: prevendita@vortice-italy.com

Technical Data Sheet

CODE 11996

VORT PRESS 110 LL I T

Centrifugal duct fans



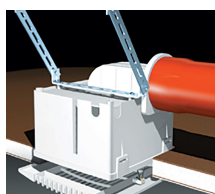
DESCRIPTION

- Material: UV resistant plastic (prevents ageing caused by exposure to sunlight).
- Nominal diameter 100 mm
- 2 speed motor with thermal overload protection and shaft turning in ball bearings.
- Minimum air flow, rear outlet: 60 m³/h
- Maximum air flow, rear outlet: 120 m³/h
- Minimum air flow, side outlet: 50 m³/h
- Maximum air flow, side outlet: 100 m³/h
- Equipped with "smart" timer: when lights are switched on, the fan will start up after 40" approx; when lights are switched off, the fan stays on for between 30" and 30' (adjustable), running at minimum speed.
- Double motor-fan enclosure, antivibration mounts and non-return damper combining to ensure extremely quiet operation.
- Supplied with front grille mounting springs, suitable for any kind of false ceiling (65 mm max).
- Removable and washable metal mesh filter.
- Outlet port equipped with non-return damper.
- IMQ SAFETY and IMQ PERFORMANCE certifications
- Vortice speed controller.

ACCESSORIES



**KIT
CONTROSOFFITTATORE
Code 22823**



**RACCORDO
ORIZZONTALE
ALTO
Code 22841**



**RACCORDO
ORIZZONTALE
BASSO
Code 22842**

PER INFORMAZIONI:

Servizio al Cliente: tel +39 02 90699395 premendo 1 dopo messaggio registrato (consulenza su prodotti e impianti)
Pre & Post Vendita: fax +39 02 90699302
Email prevendita: prevendita@vortice-italy.com