

Technical Data Sheet

CODE 12010

ARIETT LL I

Centrifugal duct fans for flush mounting



Certifications



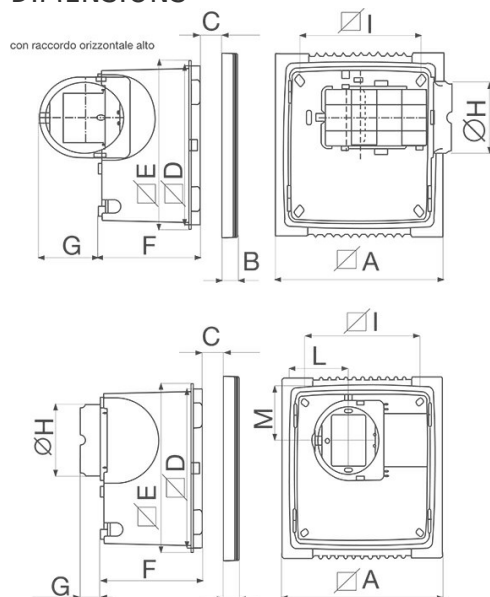
IMQ Performance



TECHNICAL AND PERFORMANCE DATA

Absorbed Current max (A)	0,13	Ø Discharge Hole (mm)	96,5
Absorbed Power max (W)	19	Voltage (V)	230
Frequency (Hz)	50	Weight (Kg)	1,9
Insulation Class	II°	Delivery max (l/s)	uscita:posteriore 22,2 laterale 19,4
IP	X4	Delivery max (m³/h)	80
Max ambient temperature for continuous operation (°C)	40	Pressure max (mmH2O)	11
Max. absorbed power at max speed (W)	19	Pressure max (Pa)	108
Nominal Diameter (mm)	100	RPM	2360
		RPM side air outlet - max speed	2460

DIMENSIONS



Size A (mm)	252
Size B (mm)	23
Size C (mm)	65
Size D (mm)	214,5
Size E (mm)	228
Size F (mm)	135,3
Size G (mm)	31,5/76,7
Size H (mm)	Ø 96,5
Size I (mm)	180
Size L (mm)	92
Size M (mm)	76

PER INFORMAZIONI:

Servizio al Cliente: tel +39 02 90699395 premendo 1 dopo messaggio registrato (consulenza su prodotti e impianti)

Pre & Post Vendita: fax +39 02 90699302

Email prevendita: prevendita@vortice-italy.com

Technical Data Sheet

CODE 12010

ARIETT LL I

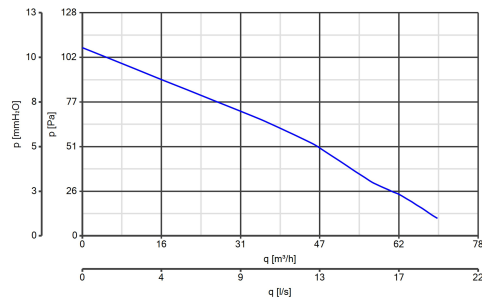
Centrifugal duct fans for flush mounting



DESCRIPTION

- Material: UV resistant plastic (prevents ageing caused by exposure to sunlight).
- Nominal diameter: 100 mm
- Motor with thermal overload protection and shaft turning in ball bearings.
- Maximum air flow, rear: 80 m³/h
- Maximum air flow, side: 70 m³/h
- Vertical outlet port supplied as standard with spigot positionable horizontally by means of diverter.
- Rear outlet port equipped with non-return damper.
- IMQ SAFETY and IMQ PERFORMANCE certifications
- Vortice speed controller.

CURVES



ACCESSORIES



SCNRB
SCAT.COM.NON
REV.INCASSO
Code 12971



DEVIATORE DI
FLUSSO M 10/4
Code 22310



KIT SCB
(TRASF.E.C.)
Code 22481



KIT
CONTROSOFFITT
Code 22823

PER INFORMAZIONI:

Servizio al Cliente: tel +39 02 90699395 premendo 1 dopo messaggio registrato (consulenza su prodotti e impianti)
Pre & Post Vendita: fax +39 02 90699302
Email prevendita: prevendita@vortice-italy.com