

Technical Data Sheet

CODE 12108

VORT PLATT HCS

Centralised continuous ventilation unit

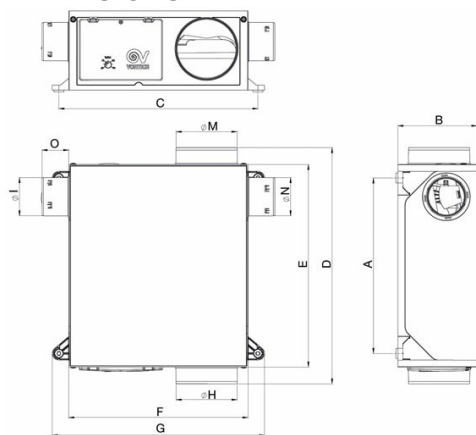


Certifications

TECHNICAL AND PERFORMANCE DATA

Absorbed power 1st speed (W)	23	Weight (Kg)	5,4
Frequency (Hz)	50	Delivery 1st speed (l/s)	48.8
Insulation Class	II°	Delivery 1st speed (m³/h)	176
IP	X4	Max delivery at max speed (l/s)	95.2
Max ambient temperature for continuous operation (°C)	60	Max delivery at max speed (m³/h)	343
Max. absorbed Current at max. speed (A)	0,25	Pressure - 1st speed (mmH2O)	26.6
Max. absorbed Current at min. speed (A)	0,21	Pressure - 1st speed (Pa)	261
Max. absorbed power at max speed (W)	56	Pressure max - max speed (mmH2O)	41.9
Nominal Diameter (mm)	80-125	Pressure max - max speed (Pa)	411.7
Number of speeds	3	RPM max	2610
Voltage (V)	230	RPM min	1300
		Sound power level Lw [dB(A)]	34.9

DIMENSIONS



Size A (mm)	355
Size B (mm)	160
Size C (mm)	403
Size D (mm)	478
Size E (mm)	410
Size F (mm)	363
Size G (mm)	430
Size H (mm)	∅
	124,5
Size I (mm)	∅
	77,5
Size L (mm)	∅
	77,5
Size M (mm)	∅
	124,5
Size N (mm)	∅
	77,5
Size O (mm)	54

PER INFORMAZIONI:

Servizio al Cliente: tel +39 02 90699395 premendo 1 dopo messaggio registrato (consulenza su prodotti e impianti)

Pre & Post Vendita: fax +39 02 90699302

Email prevendita: prevendita@vortice-italy.com

Technical Data Sheet

CODE 12108

VORT PLATT HCS

Centralised continuous ventilation unit



DESCRIPTION

PER INFORMAZIONI:

Servizio al Cliente: tel +39 02 90699395 premendo 1 dopo messaggio registrato (consulenza su prodotti e impianti)

Pre & Post Vendita: fax +39 02 90699302

Email prevendita: prevendita@vortice-italy.com