



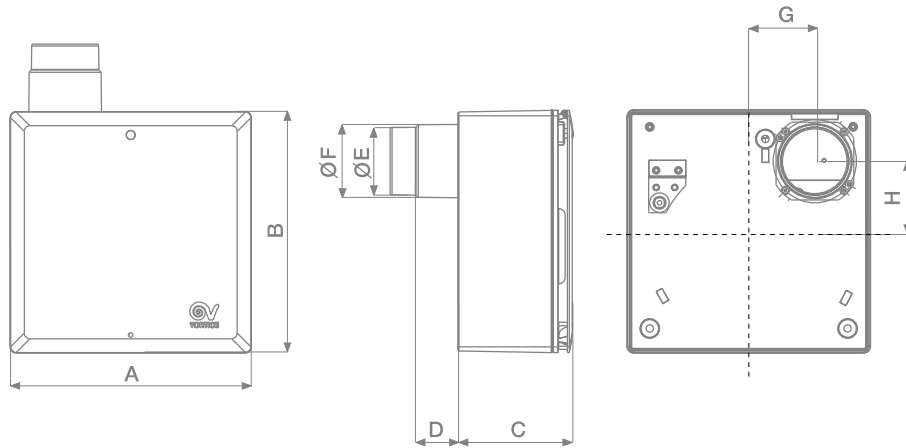
## VORT QUADRO EVO RANGE

Overall dimensions (mm)

| ITEM                   | CODE  | (Kg) | A   | B   | C     | D  | ØE | ØF | G    | H  |
|------------------------|-------|------|-----|-----|-------|----|----|----|------|----|
| QE 60 LL               | 11521 | 2,33 | 262 | 262 | 115,5 | 80 | 73 | 79 | 71,5 | 90 |
| QE 100 LL              | 11522 | 2,33 | 262 | 262 | 115,5 | 80 | 73 | 79 | 71,5 | 90 |
| QE 60/35 LL            | 11523 | 2,33 | 262 | 262 | 115,5 | 80 | 73 | 79 | 71,5 | 90 |
| QE 100/60 LL           | 11524 | 2,33 | 262 | 262 | 115,5 | 80 | 73 | 79 | 71,5 | 90 |
| QE 100/60/35 LL        | 11525 | 2,33 | 262 | 262 | 115,5 | 80 | 73 | 79 | 71,5 | 90 |
| QE 60 LL T             | 11526 | 2,33 | 262 | 262 | 115,5 | 80 | 73 | 79 | 71,5 | 90 |
| QE 100 LL T            | 11527 | 2,33 | 262 | 262 | 115,5 | 80 | 73 | 79 | 71,5 | 90 |
| QE 60/35 LL T          | 11528 | 2,33 | 262 | 262 | 115,5 | 80 | 73 | 79 | 71,5 | 90 |
| QE 100/60 LL T         | 11531 | 2,33 | 262 | 262 | 115,5 | 80 | 73 | 79 | 71,5 | 90 |
| QE 60 LL TP            | 11532 | 2,33 | 262 | 262 | 115,5 | 80 | 73 | 79 | 71,5 | 90 |
| QE 100 LL TP           | 11533 | 2,33 | 262 | 262 | 115,5 | 80 | 73 | 79 | 71,5 | 90 |
| QE 60/35 LL TP         | 11534 | 2,33 | 262 | 262 | 115,5 | 80 | 73 | 79 | 71,5 | 90 |
| QE 100/60 LL TP        | 11535 | 2,33 | 262 | 262 | 115,5 | 80 | 73 | 79 | 71,5 | 90 |
| QE 100/60/35 LL TP     | 11536 | 2,33 | 262 | 262 | 115,5 | 80 | 73 | 79 | 71,5 | 90 |
| QE 60 LL TP HCS        | 11537 | 2,33 | 262 | 262 | 115,5 | 80 | 73 | 79 | 71,5 | 90 |
| QE 100 LL TP HCS       | 11538 | 2,33 | 262 | 262 | 115,5 | 80 | 73 | 79 | 71,5 | 90 |
| QE 60/35 LL TP HCS     | 11541 | 2,33 | 262 | 262 | 115,5 | 80 | 73 | 79 | 71,5 | 90 |
| QE 100/60 LL TP HCS    | 11542 | 2,33 | 262 | 262 | 115,5 | 80 | 73 | 79 | 71,5 | 90 |
| QE 100/60/35 LL TP HCS | 11543 | 2,33 | 262 | 262 | 115,5 | 80 | 73 | 79 | 71,5 | 90 |
| QE 60 LL T PIR         | 11544 | 2,33 | 262 | 262 | 115,5 | 80 | 73 | 79 | 71,5 | 90 |
| QE 100 LL T PIR        | 11545 | 2,33 | 262 | 262 | 115,5 | 80 | 73 | 79 | 71,5 | 90 |
| QE 60/35 LL T PIR      | 11546 | 2,33 | 262 | 262 | 115,5 | 80 | 73 | 79 | 71,5 | 90 |
| QE 100/60 LL T PIR     | 11547 | 2,33 | 262 | 262 | 115,5 | 80 | 73 | 79 | 71,5 | 90 |
| QE-B M                 | 11561 | 0,58 | 262 | 262 | 123,5 | 81 | 73 | 79 | 71,5 | 76 |
| QE-B M VK90            | 11563 | 0,66 | 277 | 277 | 135   | 80 | 73 | 79 | 71,5 | 94 |

## BUILT-IN VERSION

| ITEM            | CODE  | (Kg) | A   | B   | C     | D  | ØE | ØF | G    | H   |
|-----------------|-------|------|-----|-----|-------|----|----|----|------|-----|
| QE-B I          | 11560 | 0,54 | 262 | 262 | 115,5 | 80 | 73 | 79 | 71,5 | 90  |
| QE-B I VK90     | 11562 | 0,62 | 277 | 277 | 135   | 80 | 73 | 79 | 71,5 | 94  |
| QE-B M VK90     | 11563 | 0,66 | 277 | 277 | 135   | 80 | 73 | 79 | 71,5 | 94  |
| QE-B I K90 R    | 11564 | 2,99 | 285 | 285 | 131,5 | 60 | 73 | 79 | -    | 106 |
| QE-B I K90 S    | 11565 | 2,99 | 285 | 285 | 131,5 | 60 | 73 | 79 | 71,5 | 106 |
| QE-B I K90 R 2R | 11566 | 3,07 | 285 | 285 | 131,5 | 60 | 73 | 79 | -    | 106 |
| QE-B I K90 R 2L | 11567 | 3,07 | 285 | 285 | 131,5 | 60 | 73 | 79 | -    | 106 |
| QE-B I K90 S 2R | 11568 | 3,07 | 285 | 285 | 131,5 | 60 | 73 | 79 | 71,5 | 106 |
| QE-B I K90 S 2L | 11569 | 3,07 | 285 | 285 | 131,5 | 60 | 73 | 79 | 71,5 | 106 |

**BUILT-IN VERSION**