

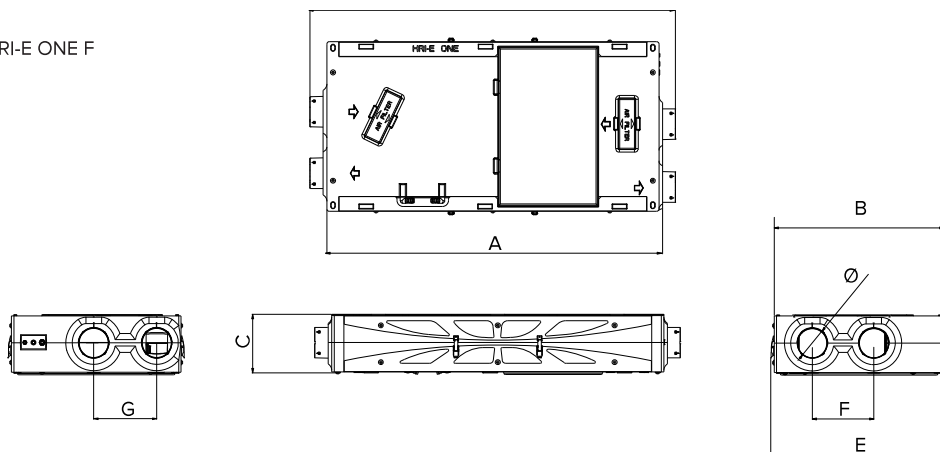


**HRI E RANGE**

Overall dimensions (mm)

ITEM	CODE	(Kg)	Ø	A	B	C	D	E	F	G	H
HR-E ONE F	11218	17,5	123	1350	690	244	1485	720	250	256	-
HR-E TWO F	11228	29,5	149	1640	916	290	1500	197	238	238	543

HRI-E ONE F



HRI-E TWO F

