

Technical Data Sheet

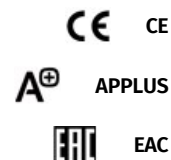
CODE 15172

TORRETTA TRT 70 ED-V 6P

Centrifugal roof fans with vertical discharge for hot fumes extraction



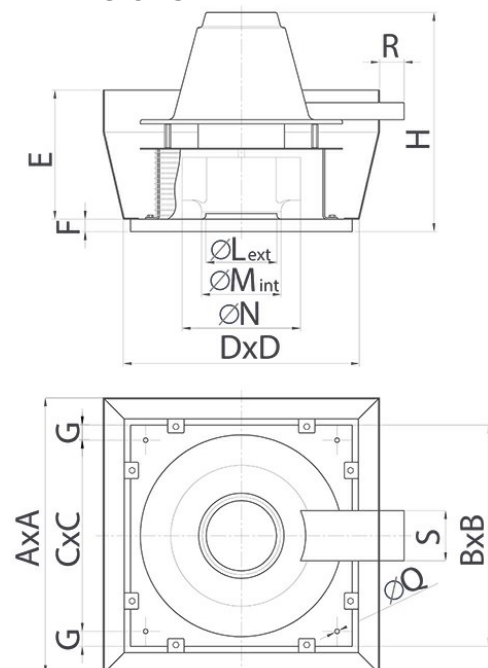
Certifications



TECHNICAL AND PERFORMANCE DATA

Absorbed power 1st speed (W)	450	Weight (Kg)	131
Frequency (Hz)	50	Delivery 1st speed (l/s)	1472
Insulation Class	I°	Delivery 1st speed (m³/h)	5300
Max ambient temperature for continuous operation (°C)	90	Max delivery at max speed (l/s)	1667
Max. absorbed Current at max. speed (A)	1,30	Max delivery at max speed (m³/h)	6000
Max. absorbed Current at min. speed (A)	0,90	Pressure - 1st speed (mmH2O)	30
Max. absorbed power at max speed (W)	620	Pressure - 1st speed (Pa)	294
Motor IP protection	55	Pressure max - max speed (mmH2O)	38
Nominal Diameter (mm)	400	Pressure max - max speed (Pa)	373
Number of Phases (Ph)	3	RPM max	940
Number of Poles	6	RPM min	760
Voltage (V)	400	Sound Pressure level Lp [dB (A)] 3m	74

DIMENSIONS



Dimensione Q (mm)	12
Dimensione R (mm)	50
Size A (mm)	1144
Size B (mm)	830
Size C (mm)	750
Size D (mm)	860
Size E (mm)	491
Size F (mm)	38
Size G (mm)	40
Size H (mm)	743
Size L (mm)	365
Size M (mm)	375
Size N (mm)	564

PER INFORMAZIONI:

Servizio al Cliente: tel +39 02 90699395 premendo 1 dopo messaggio registrato (consulenza su prodotti e impianti)

Pre & Post Vendita: fax +39 02 90699302

Email prevendita: prevendita@vortice-italy.com

Technical Data Sheet

CODE 15172

TORRETTA TRT 70 ED-V 6P

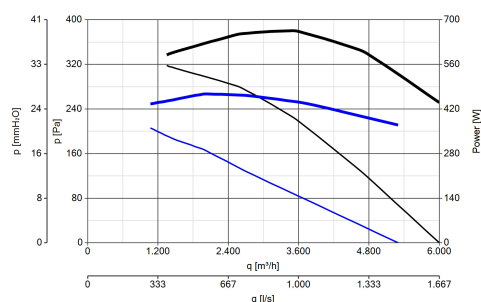
Centrifugal roof fans with vertical discharge for hot fumes extraction



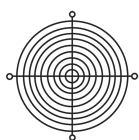
DESCRIPTION

- Centrifugal roof fan suitable for extracting hot fumes at up to 400 °C for 120 minutes.
- Base manufactured from phosphated pressed steel, epoxy powder coated with hammered effect finish, guaranteeing long-term resistance to atmospheric agents.
- Aerodynamically contoured inlet port for optimum performance, fashioned as a single unit with the base and gauged to optimize air flow.
- Motor mounting plate made of steel with galvanization surface treatment.
- Protective cap carried by top plate made of steel with galvanization surface treatment.
- Cold outside air drawn into a cooling chamber made of pressed steel with polyester powder coated and oven baked hammered effect finish, colour grey.
- Pressed steel motor cover: pickled and phosphated surface, polyester powder coated and oven baked finish, colour grey, with hammered texture.
- Accident prevention and anti-bird grilles (to UNI ISO 13857 standard), consisting of electrically welded steel rings with epoxy powder coated finish, colour black.
- Centrifugal impeller with self-cleaning backward curved blades, dynamically balanced (UNI ISO 1940, Point 1 – Class 6.3), made of electrolytically galvanized steel.
- Dahlander 2 speed three-phase AC motor with shaft turning in ball bearings, size to UNEL MEC standard, flange B5, self-ventilating. Motor insulation class H, with metal cooling fan and cable gland.
- Minimum air flow 5300 m³/h.
- Maximum air flow: 6000 m³/h.
- Galvanized steel eye lugs for transport and lifting/handling operations.
- Cable guaranteeing continuity of earth connection.
- Steel safety wire for anchoring appliances once installed.
- Vortice speed controller.

CURVES

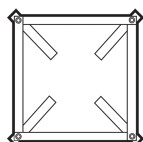


ACCESSORIES



TR-G 70/100
(GRIGLIA DI
PROTEZIONE)

Code 22506



TR-CU 70/100
(CONTROTELAIO
DI BASE U)

Code 22539



TR-CVT
(COMMUTATORE
VELOCITA'
TRIF.)

Code 22910



IRT 35
Code 12924

PER INFORMAZIONI:

Servizio al Cliente: tel +39 02 90699395 premendo 1 dopo messaggio registrato (consulenza su prodotti e impianti)
Pre & Post Vendita: fax +39 02 90699302
Email prevendita: prevendita@vortice-italy.com