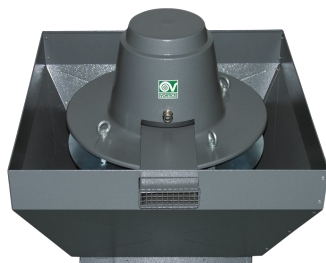


# Technical Data Sheet

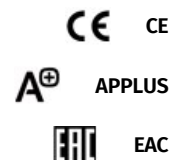
CODE 15173

## TORRETTA TRT 100 ED-V 4P

Centrifugal roof fans with vertical discharge for hot fumes extraction



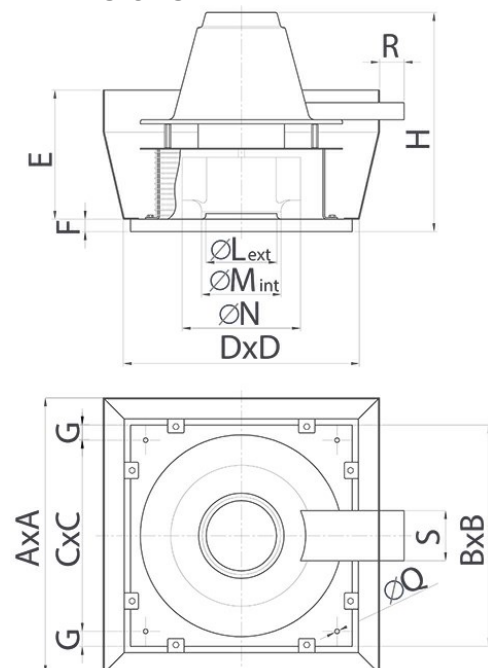
### Certifications



### TECHNICAL AND PERFORMANCE DATA

Absorbed power 1st speed (W)	1400	Weight (Kg)	132
Frequency (Hz)	50	Delivery 1st speed (l/s)	2306
Insulation Class	1°	Delivery 1st speed (m <sup>3</sup> /h)	8300
Max ambient temperature for continuous operation (°C)	80	Max delivery at max speed (l/s)	2528
Max. absorbed Current at max. speed (A)	4,50	Max delivery at max speed (m <sup>3</sup> /h)	9100
Max. absorbed Current at min. speed (A)	2,40	Pressure - 1st speed (mmH2O)	72
Max. absorbed power at max speed (W)	1870	Pressure - 1st speed (Pa)	706
Motor IP protection	55	Pressure max - max speed (mmH2O)	84
Nominal Diameter (mm)	400	Pressure max - max speed (Pa)	824
Number of Phases (Ph)	3	RPM max	1400
Number of Poles	4	RPM min	1180
Voltage (V)	400	Sound Pressure level Lp [dB (A)] 3m	84

### DIMENSIONS



Dimensione Q (mm)	12
Dimensione R (mm)	50
Size A (mm)	1144
Size B (mm)	830
Size C (mm)	750
Size D (mm)	860
Size E (mm)	491
Size F (mm)	38
Size G (mm)	40
Size H (mm)	743
Size L (mm)	365
Size M (mm)	375
Size N (mm)	564

#### PER INFORMAZIONI:

Servizio al Cliente: tel +39 02 90699395 premendo 1 dopo messaggio registrato (consulenza su prodotti e impianti)

Pre & Post Vendita: fax +39 02 90699302

Email prevendita: [prevendita@vortice-italy.com](mailto:prevendita@vortice-italy.com)

# Technical Data Sheet

CODE 15173

## TORRETTA TRT 100 ED-V 4P

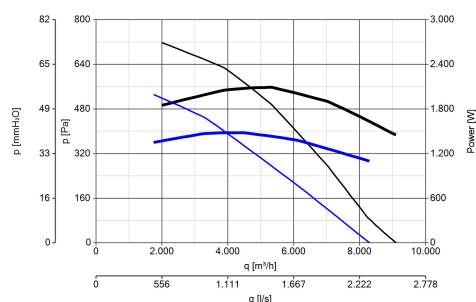
Centrifugal roof fans with vertical discharge for hot fumes extraction



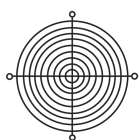
### DESCRIPTION

- Centrifugal roof fan suitable for extracting hot fumes at up to 400 °C for 120 minutes.
- Base manufactured from phosphated pressed steel, epoxy powder coated with hammered effect finish, guaranteeing long-term resistance to atmospheric agents.
- Aerodynamically contoured inlet port for optimum performance, fashioned as a single unit with the base and gauged to optimize air flow.
- Motor mounting plate made of steel with galvanization surface treatment.
- Protective cap carried by top plate made of steel with galvanization surface treatment.
- Cold outside air drawn into a cooling chamber made of pressed steel with polyester powder coated and oven baked hammered effect finish, colour grey.
- Pressed steel motor cover: pickled and phosphated surface, polyester powder coated and oven baked finish, colour grey, with hammered texture.
- Accident prevention and anti-bird grilles (to UNI ISO 13857 standard), consisting of electrically welded steel rings with epoxy powder coated finish, colour black.
- Centrifugal impeller with self-cleaning backward curved blades, dynamically balanced (UNI ISO 1940, Point 1 – Class 6.3), made of electrolytically galvanized steel.
- Dahlander 2 speed three-phase AC motor with shaft turning in ball bearings, size to UNEL MEC standard, flange B5, self-ventilating. Motor insulation class H, with metal cooling fan and cable gland.
- Minimum air flow 8300 m<sup>3</sup>/h.
- Maximum air flow: 9100 m<sup>3</sup>/h.
- Galvanized steel eye lugs for transport and lifting/handling operations.
- Cable guaranteeing continuity of earth connection.
- Steel safety wire for anchoring appliances once installed.
- Vortice speed controller.

### CURVES

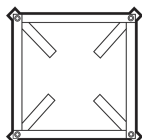


### ACCESSORIES



TR-G 70/100  
(GRIGLIA DI  
PROTEZIONE)

Code 22506



TR-CU 70/100  
(CONTROTELAIO  
DI BASE U)

Code 22539



TR-CVT  
(COMMUTATORE  
VELOCITA'  
TRIF.)

Code 22910



IRET 6  
Code 12934

#### PER INFORMAZIONI:

Servizio al Cliente: tel +39 02 90699395 premendo 1 dopo messaggio registrato (consulenza su prodotti e impianti)

Pre & Post Vendita: fax +39 02 90699302

Email prevendita: [prevendita@vortice-italy.com](mailto:prevendita@vortice-italy.com)