

# Technical Data Sheet

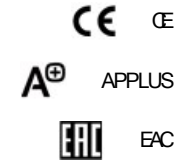
CODE 15174

## TORRETTA TRT 100 ED-V 6P

Centrifugal roof fans with vertical discharge for hot fumes extraction



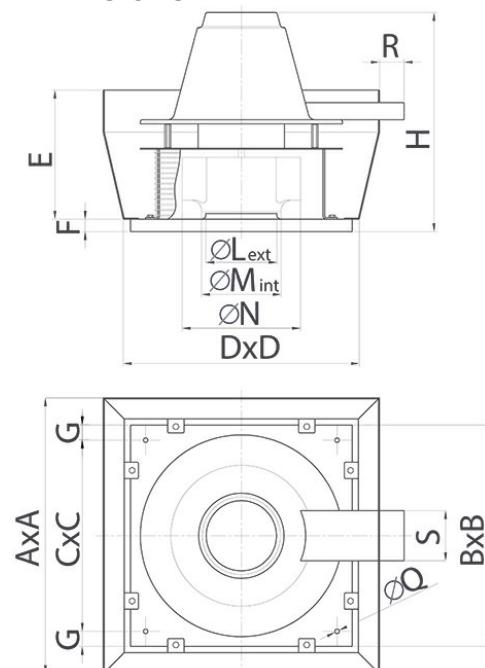
### Certifications



### TECHNICAL AND PERFORMANCE DATA

Absorbed power 1st speed (W)	800	Weight (Kg)	207
Frequency (Hz)	50	Delivery 1st speed (l/s)	2097
Insulation Class	I°	Delivery 1st speed (m <sup>3</sup> /h)	7550
Max ambient temperature for continuous operation (°C)	90	Max delivery at max speed (l/s)	2389
Max. absorbed Current at max. speed (A)	2,30	Max delivery at max speed (m <sup>3</sup> /h)	8600
Max. absorbed Current at min. speed (A)	1,60	Pressure - 1st speed (mmH2O)	38
Max. absorbed power at max speed (W)	1110	Pressure - 1st speed (Pa)	373
Motor IP protection	55	Pressure max - max speed (mmH2O)	47
Nominal Diameter (mm)	450	Pressure max - max speed (Pa)	461
Number of Phases (Ph)	3	RPM max	940
Number of Poles	6	RPM min	760
Voltage (V)	400	Sound Pressure level Lp [dB (A)] 3m	77

### DIMENSIONS



Dimensione Q (mm)	12
Dimensione R (mm)	50
Size A (mm)	1462
Size B (mm)	980
Size C (mm)	900
Size D (mm)	1010
Size E (mm)	595
Size F (mm)	38
Size G (mm)	40
Size H (mm)	923
Size L (mm)	415
Size M (mm)	421
Size N (mm)	635

#### PER INFORMAZIONI:

Servizio al Cliente: tel +39 02 90699395 premendo 1 dopo messaggio registrato (consulenza su prodotti e impianti)

Pre & Post Vendita: fax +39 02 90699302

Email prevendita: [prevendita@vortice-italy.com](mailto:prevendita@vortice-italy.com)

# Technical Data Sheet

CODE 15174

## TORRETTA TRT 100 ED-V 6P

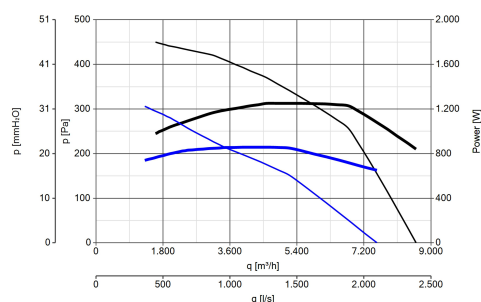
Centrifugal roof fans with vertical discharge for hot fumes extraction



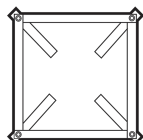
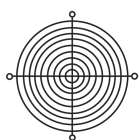
### DESCRIPTION

- Centrifugal roof fan suitable for extracting hot fumes at up to 400 °C for 120 minutes.
- Base manufactured from phosphated pressed steel, epoxy powder coated with hammered effect finish, guaranteeing long-term resistance to atmospheric agents.
- Aerodynamically contoured inlet port for optimum performance, fashioned as a single unit with the base and gauged to optimize air flow.
- Motor mounting plate made of steel with galvanization surface treatment.
- Protective cap carried by top plate made of steel with galvanization surface treatment.
- Cold outside air drawn into a cooling chamber made of pressed steel with polyester powder coated and oven baked hammered effect finish, colour grey.
- Pressed steel motor cover: pickled and phosphated surface, polyester powder coated and oven baked finish, colour grey, with hammered texture.
- Accident prevention and anti-bird grilles (to UNI ISO 13857 standard), consisting of electrically welded steel rings with epoxy powder coated finish, colour black.
- Centrifugal impeller with self-cleaning backward curved blades, dynamically balanced (UNI ISO 1940, Point 1 – Class 6.3), made of electrolytically galvanized steel.
- Dahlander 2 speed three-phase AC motor with shaft turning in ball bearings, size to UNEL MEC standard, flange B5, self-ventilating. Motor insulation class H, with metal cooling fan and cable gland.
- Minimum air flow 7550 m3/h.
- Maximum air flow: 8600 m3/h.
- Galvanized steel eye lugs for transport and lifting/handling operations.
- Cable guaranteeing continuity of earth connection.
- Steel safety wire for anchoring appliances once installed.
- Vortice speed controller.

### CURVES



### ACCESSORIES



TR-G

100/150/180/210

6-8P(GRIGLI

APROT.)

Code 22507

TR-CU

100/150/180/210

6-

8P(CONTROT.BASE)TRIF.)

Code 22540

TR-CVT

(COMMUTATORE

VELOCITA'

Code 22910

IRT 40

Code 12927

#### PER INFORMAZIONI:

Servizio al Cliente: tel +39 02 90699395 premendo 1 dopo messaggio registrato (consulenza su prodotti e impianti)

Pre & Post Vendita: fax +39 02 90699302

Email prevendita: [prevendita@vortice-italy.com](mailto:prevendita@vortice-italy.com)