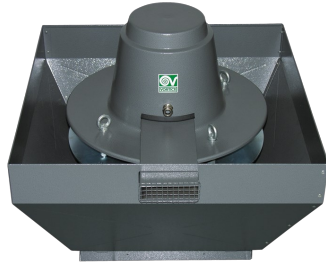


# Technical Data Sheet

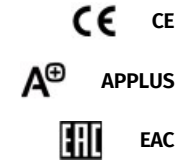
CODE 15176

## TORRETTA TRT 150 ED-V 6P

Centrifugal roof fans with vertical discharge for hot fumes extraction



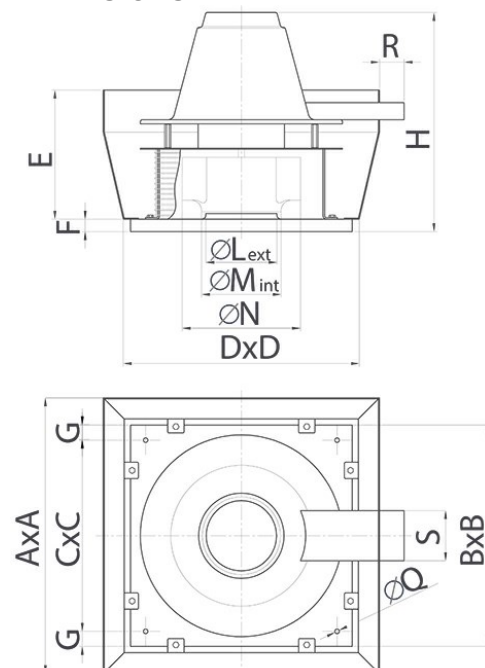
### Certifications



### TECHNICAL AND PERFORMANCE DATA

Absorbed power 1st speed (W)	1470	Weight (Kg)	218
Frequency (Hz)	50	Delivery 1st speed (l/s)	3056
Insulation Class	I°	Delivery 1st speed (m³/h)	11100
Max ambient temperature for continuous operation (°C)	90	Max delivery at max speed (l/s)	3556
Max. absorbed Current at max. speed (A)	3,45	Max delivery at max speed (m³/h)	12800
Max. absorbed Current at min. speed (A)	2,45	Pressure - 1st speed (mmH2O)	42
Max. absorbed power at max speed (W)	1880	Pressure - 1st speed (Pa)	412
Motor IP protection	55	Pressure max - max speed (mmH2O)	59
Nominal Diameter (mm)	560	Pressure max - max speed (Pa)	579
Number of Phases (Ph)	3	RPM max	920
Number of Poles	6	RPM min	710
Voltage (V)	400	Sound Pressure level Lp [dB (A)] 3m	80

### DIMENSIONS



Dimensione Q (mm)	12
Dimensione R (mm)	50
Size A (mm)	1462
Size B (mm)	980
Size C (mm)	900
Size D (mm)	1010
Size E (mm)	595
Size F (mm)	38
Size G (mm)	40
Size H (mm)	923
Size L (mm)	465
Size M (mm)	472
Size N (mm)	715

#### PER INFORMAZIONI:

Servizio al Cliente: tel +39 02 90699395 premendo 1 dopo messaggio registrato (consulenza su prodotti e impianti)  
 Pre & Post Vendita: fax +39 02 90699302  
 Email prevendita: [prevendita@vortice-italy.com](mailto:prevendita@vortice-italy.com)

# Technical Data Sheet

CODE 15176

## TORRETTA TRT 150 ED-V 6P

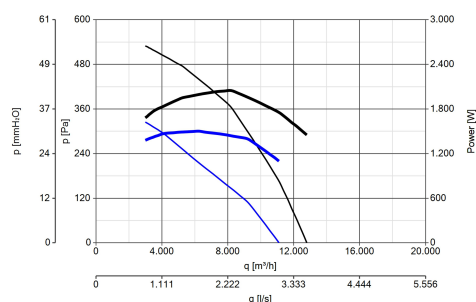
Centrifugal roof fans with vertical discharge for hot fumes extraction



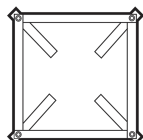
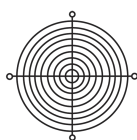
### DESCRIPTION

- Centrifugal roof fan suitable for extracting hot fumes at up to 400 °C for 120 minutes.
- Base manufactured from phosphated pressed steel, epoxy powder coated with hammered effect finish, guaranteeing long-term resistance to atmospheric agents.
- Aerodynamically contoured inlet port for optimum performance, fashioned as a single unit with the base and gauged to optimize air flow.
- Motor mounting plate made of steel with galvanization surface treatment.
- Protective cap carried by top plate made of steel with galvanization surface treatment.
- Cold outside air drawn into a cooling chamber made of pressed steel with polyester powder coated and oven baked hammered effect finish, colour grey.
- Pressed steel motor cover: pickled and phosphated surface, polyester powder coated and oven baked finish, colour grey, with hammered texture.
- Accident prevention and anti-bird grilles (to UNI ISO 13857 standard), consisting of electrically welded steel rings with epoxy powder coated finish, colour black.
- Centrifugal impeller with self-cleaning backward curved blades, dynamically balanced (UNI ISO 1940, Point 1 – Class 6.3), made of electrolytically galvanized steel.
- Dahlander 2 speed three-phase AC motor with shaft turning in ball bearings, size to UNEL MEC standard, flange B5, self-ventilating. Motor insulation class H, with metal cooling fan and cable gland.
- Minimum air flow 11100 m<sup>3</sup>/h.
- Maximum air flow: 12800 m<sup>3</sup>/h.
- Galvanized steel eye lugs for transport and lifting/handling operations.
- Cable guaranteeing continuity of earth connection.
- Steel safety wire for anchoring appliances once installed.
- Vortice speed controller.

### CURVES



### ACCESSORIES



**TR-G**  
100/150/180/210  
6-8P(GRIGLI  
APROT.)  
Code 22507

**TR-CU**  
100/150/180/210  
6-  
8P(CONTROT.BASE)TRIF.)  
Code 22540

**TR-CVT**  
(COMMUTATORE  
VELOCITA'  
Code 22910

**IRET 6**  
Code 12934



#### PER INFORMAZIONI:

Servizio al Cliente: tel +39 02 90699395 premendo 1 dopo messaggio registrato (consulenza su prodotti e impianti)  
Pre & Post Vendita: fax +39 02 90699302  
Email prevendita: [prevendita@vortice-italy.com](mailto:prevendita@vortice-italy.com)