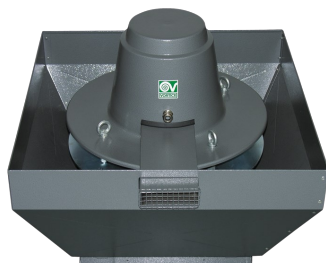


Technical Data Sheet

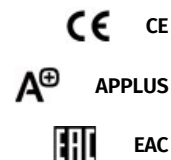
CODE 15178

TORRETTA TRT 180 ED-V 6P

Centrifugal roof fans with vertical discharge for hot fumes extraction



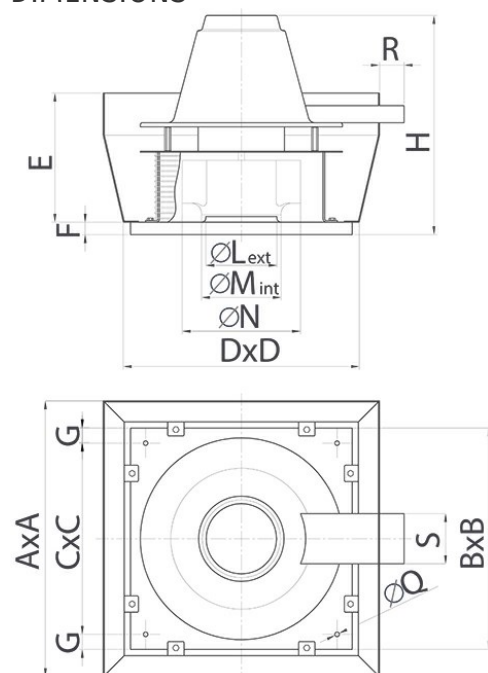
Certifications



TECHNICAL AND PERFORMANCE DATA

Absorbed Current max (A)	6,11	Number of Poles	6
Absorbed Power max (W)	3200	Voltage (V)	400
Frequency (Hz)	50	Weight (Kg)	220
Insulation Class	I°	Delivery max (l/s)	4583
Max ambient temperature for continuous operation (°C)	90	Delivery max (m³/h)	16500
Motor IP protection	55	Pressure max (mmH2O)	79
Nominal Diameter (mm)	550	Pressure max (Pa)	775
Number of Phases (Ph)	3	RPM	950
		Sound Pressure level Lp [dB (A)] 3m	83

DIMENSIONS



Dimensione Q (mm)	12
Dimensione R (mm)	50
Size A (mm)	1462
Size B (mm)	980
Size C (mm)	900
Size D (mm)	1010
Size E (mm)	595
Size F (mm)	38
Size G (mm)	40
Size H (mm)	923
Size L (mm)	520
Size M (mm)	529
Size N (mm)	805

PER INFORMAZIONI:

Servizio al Cliente: tel +39 02 90699395 premendo 1 dopo messaggio registrato (consulenza su prodotti e impianti)

Pre & Post Vendita: fax +39 02 90699302

Email prevendita: prevendita@vortice-italy.com

Technical Data Sheet

CODE 15178

TORRETTA TRT 180 ED-V 6P

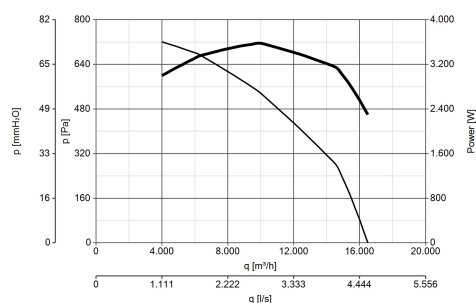
Centrifugal roof fans with vertical discharge for hot fumes extraction



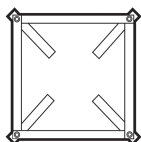
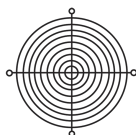
DESCRIPTION

- Centrifugal roof fan suitable for extracting hot fumes at up to 400 °C for 120 minutes.
- Base manufactured from phosphated pressed steel, epoxy powder coated with hammered effect finish, guaranteeing long-term resistance to atmospheric agents.
- Aerodynamically contoured inlet port for optimum performance, fashioned as a single unit with the base and gauged to optimize air flow.
- Motor mounting plate made of steel with galvanization surface treatment.
- Protective cap carried by top plate made of steel with galvanization surface treatment.
- Cold outside air drawn into a cooling chamber made of pressed steel with polyester powder coated and oven baked hammered effect finish, colour grey.
- Pressed steel motor cover: pickled and phosphated surface, polyester powder coated and oven baked finish, colour grey, with hammered texture.
- Accident prevention and anti-bird grilles (to UNI ISO 13857 standard), consisting of electrically welded steel rings with epoxy powder coated finish, colour black.
- Centrifugal impeller with self-cleaning backward curved blades, dynamically balanced (UNI ISO 1940, Point 1 – Class 6.3), made of electrolytically galvanized steel.
- 1 speed three-phase AC motor with shaft turning in ball bearings, size to UNEL MEC standard, flange B5, self-ventilating. Motor insulation class H, with metal cooling fan and cable gland.
- Maximum air flow: 16500 m³/h.
- Galvanized steel eye lugs for transport and lifting/handling operations.
- Cable guaranteeing continuity of earth connection.
- Steel safety wire for anchoring appliances once installed.
- Vortice speed controller.

CURVES



ACCESSORIES



TR-G
100/150/180/210
6-8P(GRIGLI
APROT.)
Code 22507

TR-CU
100/150/180/210
6-
8P(CONTROT.BASE)TRIF.)
Code 22540

TR-CVT
(COMMUTATORE
VELOCITA'
Code 22910

IRET INVERTER
8 M
Code 12821

PER INFORMAZIONI:

Servizio al Cliente: tel +39 02 90699395 premendo 1 dopo messaggio registrato (consulenza su prodotti e impianti)
Pre & Post Vendita: fax +39 02 90699302
Email prevendita: prevendita@vortice-italy.com