

Technical Data Sheet

CODE 15197

TORRETTA TRM 20 E-V 4P

Centrifugal roof fans with vertical discharge



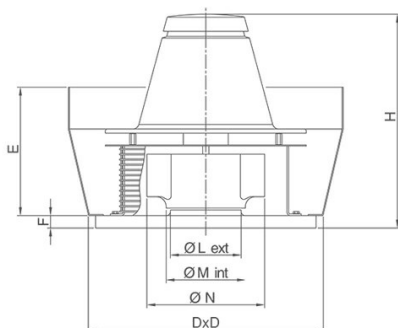
CE



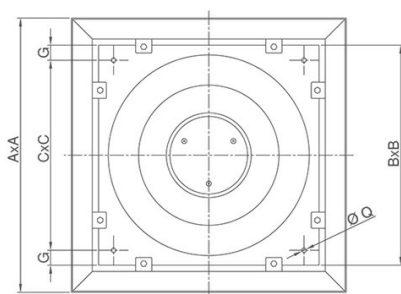
TECHNICAL AND PERFORMANCE DATA

Absorbed Current max (A)	1,30	Number of Poles	4
Absorbed Power max (W)	280	Voltage (V)	230
Frequency (Hz)	50	Weight (Kg)	43
Insulation Class	I°	Delivery max (l/s)	722
Max ambient temperature for continuous operation (°C)	85	Delivery max (m³/h)	2600
Motor IP protection	55	Pressure max (mmH2O)	36
Nominal Diameter (mm)	250	Pressure max (Pa)	353
Number of Phases (Ph)	1	RPM	1415
		Sound Pressure level Lp [dB (A)] 3m	62

DIMENSIONS



Size A (mm)	907
Size B (mm)	550
Size C (mm)	500
Size D (mm)	580
Size E (mm)	432
Size F (mm)	38
Size G (mm)	25
Size H (mm)	586
Size L (mm)	219



PER INFORMAZIONI:

Servizio al Cliente: tel +39 02 90699395 premendo 1 dopo messaggio registrato (consulenza su prodotti e impianti)

Pre & Post Vendita: fax +39 02 90699302

Email prevendita: prevendita@vortice-italy.com

Technical Data Sheet

CODE 15197

TORRETTA TRM 20 E-V 4P

Centrifugal roof fans with vertical discharge



DESCRIPTION

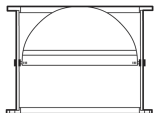
- Base manufactured from phosphated pressed steel, epoxy powder
- Aerodynamically contoured inlet port for optimum performance, fashioned as a single unit with the base and gauged to optimize air
- Pressed steel motor cover: pickled and phosphated surface, polyester
- Zinc-coated, pickled and phosphated surface, polyester powder coated
- Accident prevention and anti-bird grilles (to UNI ISO 13857 standard), consisting of electrically welded steel rings with epoxy powder coated

- Centrifugal aluminium impeller with self-cleaning backward curved blades, dynamically balanced (UNI ISO 1940, Point 1 - Class 6.3), and splined aluminium hub.
- with shaft turning in double shielded ball bearings, insulation class F.
- Cooling fan for better dissipation of heat
- Galvanized steel eye lugs for transport and lifting/handling operations.
- Cable guaranteeing continuity of earth connection.
- Steel safety wire for anchoring appliances once installed.
- Vortice speed controller.

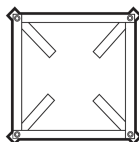
ACCESSORIES



IREM 3 CD
99250080
Code 12931



TR-S 20/30/50
(SERRANDA A GRAVITA)
Code 22510



TR-CU 20/30/50
(CONTROTELAIO DI BASE U)
Code 22512



TR-B 20/30/50
(BOCCAGLIO ASPIRAZIONE)
Code 22610

PER INFORMAZIONI:

Servizio al Cliente: tel +39 02 90699395 premando 1 dopo messaggio registrato (consulenza su prodotti e impianti)
Pre & Post Vendita: fax +39 02 90699302
Email prevendita: prevendita@vortice-italy.com