

# Technical Data Sheet

CODE 15198

## TORRETTA TRM 30 E-V 4P

Centrifugal roof fans with vertical discharge



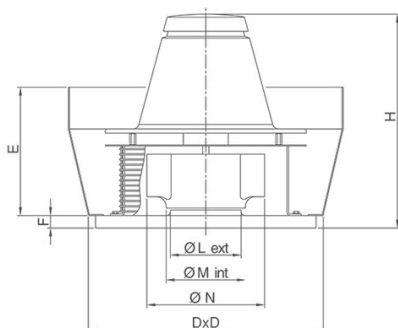
### Certifications



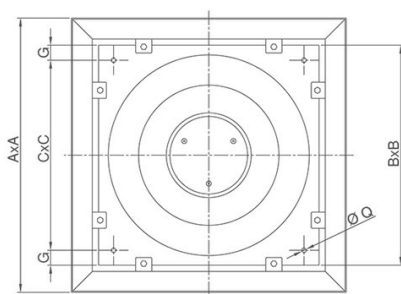
### TECHNICAL AND PERFORMANCE DATA

Absorbed Current max (A)	1,80	Number of Poles	4
Absorbed Power max (W)	400	Voltage (V)	230
Frequency (Hz)	50	Weight (Kg)	45
Insulation Class	I°	Delivery max (l/s)	917
Max ambient temperature for continuous operation (°C)	70	Delivery max (m³/h)	3300
Motor IP protection	55	Pressure max (mmH2O)	44
Nominal Diameter (mm)	300	Pressure max (Pa)	432
Number of Phases (Ph)	1	RPM	1425
		Sound Pressure level Lp [dB (A)] 3m	67

### DIMENSIONS



Size A (mm)	907
Size B (mm)	550
Size C (mm)	500
Size D (mm)	580
Size E (mm)	432
Size F (mm)	38
Size G (mm)	25
Size H (mm)	604
Size L (mm)	244



#### PER INFORMAZIONI:

Servizio al Cliente: tel +39 02 90699395 premendo 1 dopo messaggio registrato (consulenza su prodotti e impianti)

Pre & Post Vendita: fax +39 02 90699302

Email prevendita: [prevendita@vortice-italy.com](mailto:prevendita@vortice-italy.com)

# Technical Data Sheet

CODE 15198

## TORRETTA TRM 30 E-V 4P

Centrifugal roof fans with vertical discharge



### DESCRIPTION

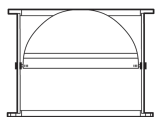
Centrifugal roof fans with vertical discharge

- For installation in commercial and industrial environments, discos, offices, theatres, apartment buildings, gyms, restaurants, etc...
- Single phase model.
- Galvanised steel sheet fan with self cleaning, backward curved blades, self-ventilating, die casted aluminium hub, clockwise rotation (intake view).
- Fitted with steel bird guard.
- Streamlined cross-section intake port, made of polyester sheet steel painted.
- Asynchronous induction motors, thermally protected, standard.
- UNELMEC B5 size, ball bearing mounted shafts.
- Minimum speed not available for hot fumes extraction.
- For long term safety each unit has a safety cable to anchor it to the base.
- For low dust, acid-free and non-corrosive air extraction only. Not suitable for installation in ducts located directly above fireplaces or burners.
- Max Airflow 3300 m<sup>3</sup>/h.
- Engineered for 2 hours continuous extraction of fumes at 400 °C according to EN 12101-3.
- Protection rating motor: IP55.
- Motor insulation class H.
- Insulation class: CL.I.

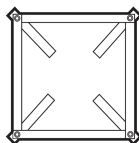
### ACCESSORIES



IREM 3 CD  
99250080  
Code 12931



TR-S 20/30/50  
(SERRANDA A  
GRAVITA')  
Code 22510



TR-CU 20/30/50  
(CONTROTELAIO  
DI BASE U)  
Code 22512



TR-B 20/30/50  
(BOCCAGLIO  
ASPIRAZIONE)  
Code 22610

#### PER INFORMAZIONI:

Servizio al Cliente: tel +39 02 90699395 premendo 1 dopo messaggio registrato (consulenza su prodotti e impianti)  
Pre & Post Vendita: fax +39 02 90699302  
Email prevendita: [prevendita@vortice-italy.com](mailto:prevendita@vortice-italy.com)