

Technical Data Sheet

CODE 16140

CA 100 MD E RF

Centrifugal duct fans for roof mounting



Certifications



IMQ



CE



IMQ Performance



EAC

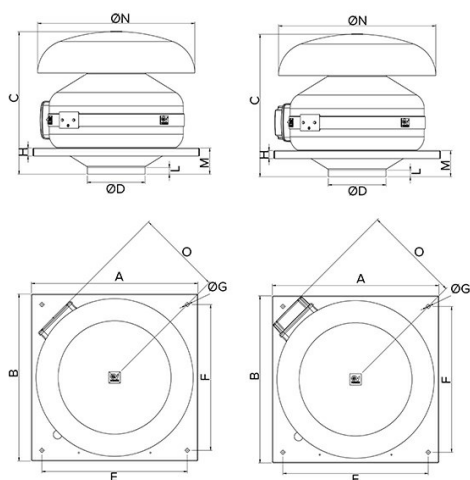


G-Mark

TECHNICAL AND PERFORMANCE DATA

Absorbed power 1st speed (W)	12	Delivery 1st speed (l/s)	26.3
Frequency (Hz)	50/60	Delivery 1st speed (m ³ /h)	95
Insulation Class	II ⁰	Max delivery at max speed (l/s)	73.6
IP	45	Max delivery at max speed (m ³ /h)	265
Max absorbed Power at 60Hz (W)	65	Pressure - 1st speed (mmH2O)	27.7
Max ambient temperature for continuous operation (°C)	50	Pressure - 1st speed (Pa)	272.2
Max. absorbed Current at max. speed (A)	0,23	Pressure max - max speed (mmH2O)	39.7
Max. absorbed Current at min. speed (A)	0.13	Pressure max - max speed (Pa)	389.3
Max. absorbed power at max speed (W)	50	RPM max	2405
Nominal Diameter (mm)	100	RPM min	900
Voltage (V)	220-240	Sound pressure level Lp [dB (A)] 3m - max speed	37.5
Weight (Kg)	4,6	Sound pressure level Lp [dB (A)] 3m - min speed	27.3

DIMENSIONS



Size A (mm)	334
Size B (mm)	334
Size C (mm)	305
Size D (mm)	∅ 97
Size E (mm)	280
Size F (mm)	280
Size G (mm)	∅ 9
Size H (mm)	20
Size L (mm)	15
Size M (mm)	35
Size N (mm)	∅ 300
Size O (mm)	198

PER INFORMAZIONI:

Servizio al Cliente: tel +39 02 90699395 premendo 1 dopo messaggio registrato (consulenza su prodotti e impianti)

Pre & Post Vendita: fax +39 02 90699302

Email prevendita: prevendita@vortice-italy.com

Technical Data Sheet

CODE 16140

CA 100 MD E RF

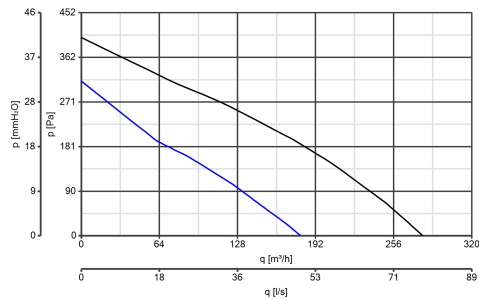
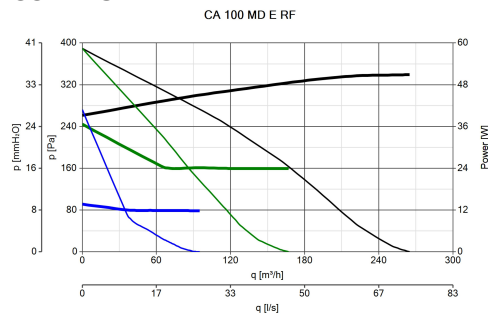
Centrifugal duct fans for roof mounting



DESCRIPTION

- Pickled and phosphated steel housing/roof mounting plate with polyester powder-coated finish, resistant to the aggressive action of atmospheric agents.
- Nominal diameter 100 mm.
- 3 speed fan through TRIO-CA optional control (cod. 12869), consisting of:
 - AC motor with thermal overload cutout and shaft turning in ball bearings,
 - backward curved impeller.
- Operation controllable by remote sensors monitoring: Temperature, Relative Humidity, Smoke and Presence.
- Zinc-coated steel brackets for wall mounting.

CURVES



ACCESSORIES



TRIO-CA
Code 12869



**KIT SCB
(TRASF.E.C.)**
Code 22481

**CA-G 100
(GRIGLIA DI
PROTEZIONE)**
Code 22750



**C 1.5
(COMANDO EL.
1.5 A)**
Code 12966

PER INFORMAZIONI:

Servizio al Cliente: tel +39 02 90699395 premendo 1 dopo messaggio registrato (consulenza su prodotti e impianti)
Pre & Post Vendita: fax +39 02 90699302
Email prevendita: prevendita@vortice-italy.com