

Technical Data Sheet

CODE 17002

VORTICE LINEO 125 V0

Классификация: «V» «V» «V» «V» «V»



«V» «V» «V» «V» «V»



IMQ



CE



IMQ Performance



C Tick Mark



CCC



EAC

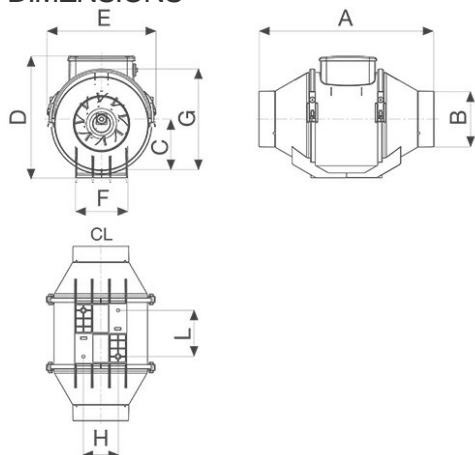


G-Mark

TECHNICAL AND PERFORMANCE DATA

Absorbed power 1st speed (W)	25	Delivery 1st speed (l/s)	69,4
Absorbed Power max (W)	33	Delivery 1st speed (m³/h)	250
Frequency (Hz)	50	Max delivery at max speed (l/s)	101,4
Insulation Class	II ²	Max delivery at max speed (m³/h)	365
IP	44	Pressure - 1st speed (mmH2O)	13
Max ambient temperature for continuous operation (°C)	60	Pressure - 1st speed (Pa)	127,5
Max. absorbed Current at max. speed (A)	0,15	Pressure max - max speed (mmH2O)	17
Max. absorbed Current at min. speed (A)	0,11	Pressure max - max speed (Pa)	166,8
Max. absorbed power at max speed (W)	33	RPM max	2140
Nominal Diameter (mm)	125	RPM min	1570
Voltage (V)	220-240	Sound pressure level Lp [dB (A)] 3m - max speed	43
Weight (Kg)	1,8	Sound pressure level Lp [dB (A)] 3m - min speed	33,9

DIMENSIONS



Size A (mm)	188,5
Size B (mm)	211
Size C (mm)	258
Size D (mm)	122
Size E (mm)	101,5
Size F (mm)	189
Size G (mm)	90
Size H (mm)	60
Size L (mm)	80
Size M (mm)	6

PER INFORMAZIONI:

Servizio al Cliente: tel +39 02 90699395 premendo 1 dopo messaggio registrato (consulenza su prodotti e impianti)

Pre & Post Vendita: fax +39 02 90699302

Email prevendita: prevendita@vortice-italy.com

Technical Data Sheet

CODE 17002

VORTICE LINEO 125 V0



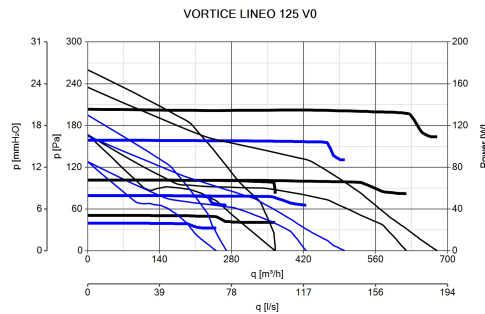
Кí:ž% “Íæ Í“ăæŷ ÑŪč » Òİİ

DESCRIPTION

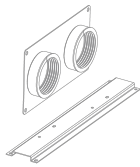
- Material: self-extinguishing plastic resin (self-extinguishing capability V0)
- Nominal diameter 125 mm.
- 2 speed AC motor with thermal overload cutout and shaft turning in

- Vortice speed controllers.

CURVES



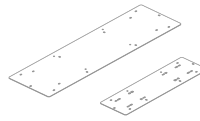
ACCESSORIES



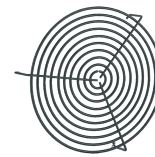
LINEO-PF 125
Code 22578



LINEO-C 125
Code 22585



LINEO-SF 500
Code 22593



LINEO-G 125
Code 22702

PER INFORMAZIONI:

Servizio al Cliente: tel +39 02 90699395 premendo 1 dopo messaggio registrato (consulenza su prodotti e impianti)

Pre & Post Vendita: fax +39 02 90699302

Email prevendita: prevendita@vortice-italy.com