

Technical Data Sheet

CODE 17025

VORTICE LINEO 100 Q T V0

In-line mixed flow fans



Certifications



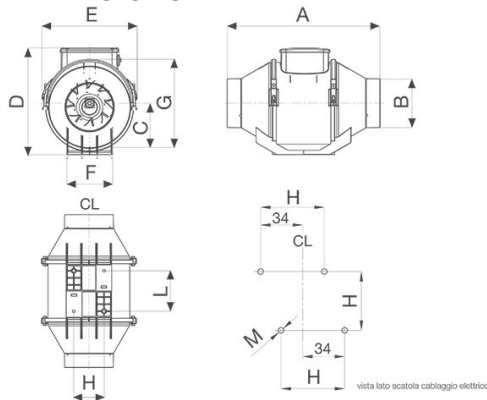
IMQ Performance



TECHNICAL AND PERFORMANCE DATA

| | | | |
|-------------------------------------------------------|---------|-------------------------------------------------|------|
| Absorbed power 1st speed (W) | 12 | Delivery 1st speed (l/s) | 43,1 |
| Absorbed Power max (W) | 15 | Delivery 1st speed (m ³ /h) | 155 |
| Frequency (Hz) | 50 | Max delivery at max speed (l/s) | 55,6 |
| Insulation Class | II° | Max delivery at max speed (m ³ /h) | 200 |
| IP | 44 | Pressure - 1st speed (mmH20) | 6,5 |
| Max ambient temperature for continuous operation (°C) | 60 | Pressure - 1st speed (Pa) | 63,8 |
| Max. absorbed Current at max. speed (A) | 0,07 | Pressure max - max speed (mmH20) | 7,5 |
| Max. absorbed Current at min. speed (A) | 0,05 | Pressure max - max speed (Pa) | 73,6 |
| Max. absorbed power at max speed (W) | 15 | RPM max | 2450 |
| Voltage (V) | 220-240 | RPM min | 1860 |
| Weight (Kg) | 1,25 | Sound pressure level Lp [dB (A)] 3m - max speed | 37,9 |
| | | Sound pressure level Lp [dB (A)] 3m - min speed | 29,4 |

DIMENSIONS



| | |
|-------------|------|
| Size A (mm) | 156 |
| Size B (mm) | 174 |
| Size C (mm) | 231 |
| Size D (mm) | 96 |
| Size E (mm) | 82 |
| Size F (mm) | 152 |
| Size G (mm) | 95 |
| Size H (mm) | 51,5 |
| Size L (mm) | 47,5 |
| Size M (mm) | 6 |

PER INFORMAZIONI:

Servizio al Cliente: tel +39 02 90699395 premendo 1 dopo messaggio registrato (consulenza su prodotti e impianti)

Pre & Post Vendita: fax +39 02 90699302

Email prevendita: prevendita@vortice-italy.com

Technical Data Sheet

CODE 17025

VORTICE LINEO 100 Q T V0

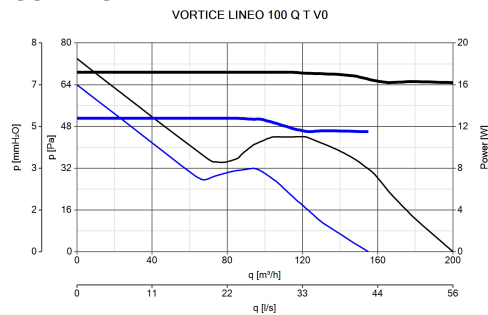
In-line mixed flow fans



DESCRIPTION

- Material: self-extinguishing plastic resin (self-extinguishing capability V0)
- Nominal diameter 100 mm.
- 2 speed AC motor with thermal overload cutout and shaft turning in ball bearings, coupled to mixed flow axial-centrifugal impeller.
- Minimum air flow 155 m³/h
- Maximum air flow: 200 m³/h
- Equipped with an electronic timer designed to shut off the motor automatically after a set interval, selectable during installation in the range 3'-20' (default setting 3').
- IMQ SAFETY and IMQ PERFORMANCE certifications
- Vortice speed controllers.

CURVES



ACCESSORIES



C 1.5
(COMANDO EL.
1.5 A)
Code 12966



LINEO-G 100
Code 22701



C5 0.5
(COMANDO 5V
0.5 A)
Code 12987



KIT SCB5
(TRASF.5 V.)
Code 22483

PER INFORMAZIONI:

Servizio al Cliente: tel +39 02 90699395 premendo 1 dopo messaggio registrato (consulenza su prodotti e impianti)
Pre & Post Vendita: fax +39 02 90699302
Email prevendita: prevendita@vortice-italy.com