

Technical Data Sheet

CODE 17027

VORTICE LINEO 250 Q V0

Классификация: «V» «V» «V» «V» «V»



«V» «V» «V» «V» «V»



IMQ



CE



IMQ Performance

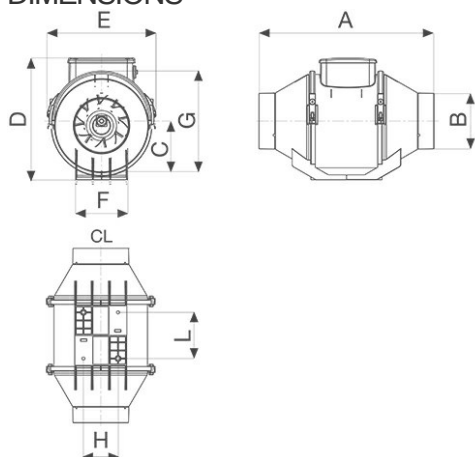


C Tick Mark

TECHNICAL AND PERFORMANCE DATA

Absorbed power 1st speed (W)	85	Delivery 1st speed (m ³ /h)	720
Frequency (Hz)	50	Max delivery at max speed (l/s)	275
Insulation Class	II°	Max delivery at max speed (m ³ /h)	990
IP	44	Pressure - 1st speed (mmH2O)	34
Max ambient temperature for continuous operation (°C)	60	Pressure - 1st speed (Pa)	333,5
Max. absorbed Current at max. speed (A)	0,50	Pressure max - max speed (mmH2O)	53
Max. absorbed Current at min. speed (A)	0,40	Pressure max - max speed (Pa)	519,9
Max. absorbed power at max speed (W)	110	RPM max	2550
Voltage (V)	220-240	RPM min	1850
Weight (Kg)	5,8	Sound pressure level Lp [dB (A)] 3m - max speed	56,2
Delivery 1st speed (l/s)	200	Sound pressure level Lp [dB (A)] 3m - min speed	49,1

DIMENSIONS



Size A (mm)	300
Size B (mm)	317
Size C (mm)	385
Size D (mm)	247
Size E (mm)	152,5
Size F (mm)	292
Size G (mm)	176,5
Size H (mm)	140
Size L (mm)	145
Size M (mm)	8

PER INFORMAZIONI:

Servizio al Cliente: tel +39 02 90699395 premendo 1 dopo messaggio registrato (consulenza su prodotti e impianti)

Pre & Post Vendita: fax +39 02 90699302

Email prevendita: prevendita@vortice-italy.com

Technical Data Sheet

CODE 17027

VORTICE LINEO 250 Q V0

Кі: % "іæ í "äæf ÑÛč » ßİ!

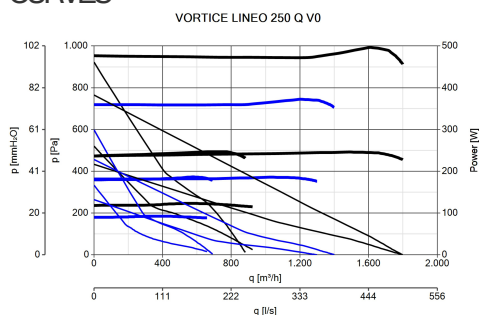


DESCRIPTION

- Material: self-extinguishing plastic resin (self-extinguishing capability V0)
- Nominal diameter 250 mm.
- 2 speed AC motor with thermal overload cutout and shaft turning in

- Vortice speed controllers.

CURVES



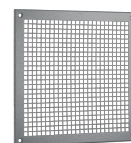
ACCESSORIES



CTIMER
Code 12999



KIT SCB
(TRASF.E.C.)
Code 22481



TRA 250
(TELAIO CON
RETE ANTINF.)
Code 51150

PER INFORMAZIONI:

Servizio al Cliente: tel +39 02 90699395 premendo 1 dopo messaggio registrato (consulenza su prodotti e impianti)

Pre & Post Vendita: fax +39 02 90699302

Email prevendita: prevendita@vortice-italy.com