

Technical Data Sheet

CODE 17157

LINEO 315 V0 ES

Energy saving mixed flow extractor fans



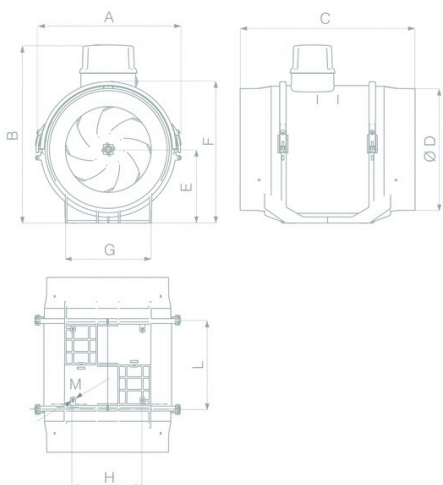
Certifications



TECHNICAL AND PERFORMANCE DATA

Frequency (Hz)	50	Delivery 1st speed (l/s)	57
Insulation Class	II°	Delivery 1st speed (m³/h)	205
IP	44	Max delivery at max speed (l/s)	514
Max ambient temperature for continuous operation (°C)	50	Max delivery at max speed (m³/h)	1850
Nominal Current at max speed (A)	1,5	Pressure - 1st speed (mmH2O)	1,1
Nominal Current at min speed (A)	0,05	Pressure - 1st speed (Pa)	11
Nominal Diameter (mm)	315	Pressure max - max speed (mmH2O)	68
Nominal Power at max speed (W)	240	Pressure max - max speed (Pa)	667
Nominal Power at min speed (W)	5	RPM max	2350
Voltage (V)	220-240	RPM min	300
Weight (Kg)	9,5	Sound pressure level Lp in free field [dB(A)] 3 m max speed	64,9

DIMENSIONS



Size A (mm)	361,5
Size B (mm)	460
Size C (mm)	448
Size D (mm)	312
Size E (mm)	188,5
Size F (mm)	359
Size G (mm)	220,5
Size H (mm)	178
Size L (mm)	182
Size M (mm)	8

PER INFORMAZIONI:

Servizio al Cliente: tel +39 02 90699395 premendo 1 dopo messaggio registrato (consulenza su prodotti e impianti)

Pre & Post Vendita: fax +39 02 90699302

Email prevendita: prevendita@vortice-italy.com

Technical Data Sheet

CODE 17157

LINEO 315 V0 ES

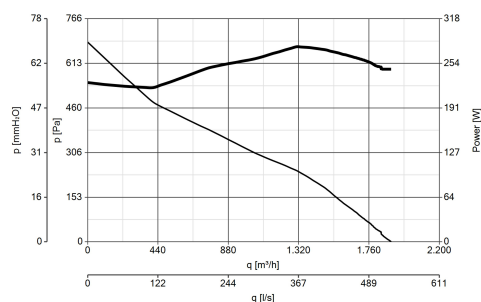
Energy saving mixed flow extractor fans



DESCRIPTION

- Material: self-extinguishing plastic resin (self-extinguishing capability V0)
- Nominal diameter: 315 mm.
- High efficiency EC (brushless) motor, thermally insulated, with shaft on ball bearings, coupled to a mixed flow impeller.
- Cylindrical motor support equipped with straightens flow and integrating the wiring connection box with airtight lid.
- Possibility of connection to remote sensors.
- A dedicated dip-switch allows to choice:
 - o 2 speed product functioning, settable during the installation and adjustable through optional two-speed switch,
 - o 1 speed product functioning, adjustable through 0-10V signal potentiometer (supplied as optional).

CURVES



ACCESSORIES



POT-IT
Code 12826



POT
Code 12828



C PIR
Code 12998



C TIMER
Code 12999

PER INFORMAZIONI:

Servizio al Cliente: tel +39 02 90699395 premendo 1 dopo messaggio registrato (consulenza su prodotti e impianti)

Pre & Post Vendita: fax +39 02 90699302

Email prevendita: prevendita@vortice-italy.com