

Technical Data Sheet

CODE 17164

LINEO 200 QUIET

Sound-proof mixed flow extractor fans



Certifications

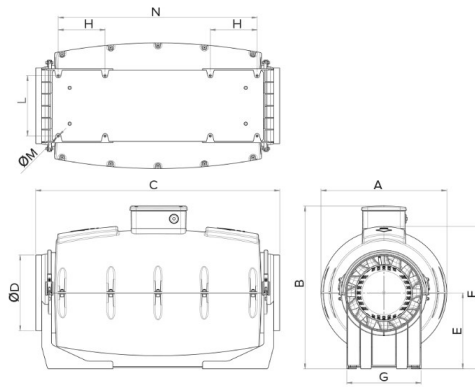


CB TEST CERTIFICATE

Technical and performance data

Frequency (Hz)	50-60	Max airflow at Mid speed at 60 Hz (m ³ /h)	920
Insulation class	II°	Max airflow at Min speed (l/s)	290,3
IP	X5	Max airflow at Min speed at 60 Hz (l/s)	188,9
Max absorbed current at maMinx speed at 60 Hz (A)	0,35	Max airflow at Min speed at 60 Hz (m ³ /h)	680
Max absorbed current at Max speed (A)	0,49	Max pressure at 60 Hz (mmH2O)	37,5
Max absorbed current at Max speed at 60 Hz (A)	0,70	Max pressure at Max speed (mmH2O)	29
Max absorbed current at Mid speed (A)	0,42	Max pressure at Max speed (Pa)	284,4
Max absorbed current at Mid speed at 60 Hz (A)	0,50	Max pressure at Max speed at 60Hz (Pa)	367,8
Max absorbed current at Min speed (A)	0,34	Max pressure at Mid speed (mmH2O)	26,3
Max absorbed power at Max speed (W)	110	Max pressure at Mid speed (Pa)	257,9
Max absorbed power at Max speed at 60 Hz (W)	155	Max pressure at Mid speed at 60Hz (mmH2O)	26,9
Max absorbed power at Mid speed (W)	95	Max pressure at Mid speed at 60Hz (Pa)	263,8
Max absorbed power at Mid speed at 60 Hz (W)	115	Max pressure at Min speed at 60Hz (mmH2O)	15,6
Max absorbed power at Min speed at 60 Hz (W)	85	Max pressure at Min speed at 60Hz (Pa)	153
Max ambient temperature for continuous operation (°C)	50	Max RPM	2690
Max continuous operation room temperature at 60 Hz (°C)	50	Max speed at 60 Hz (Rpm)	2795
Nominal diameter (mm)	200	Mid speed at 60 Hz (Rpm)	2130
Power absorbed at 1st speed (W)	80	Min RPM	1880
Voltage (V)	220-240	Min speed at 60 Hz (Rpm)	1580
Weight (Kg)	8,6	Potenza sonora at supply side at Min speed LWA [dB (A)]	56,2
Airflow at 1st speed (l/s)	223,6	Pressure at 1st speed (mmH2O)	20,6
Airflow at 1st speed (m ³ /h)	805	Pressure at 1st speed (Pa)	202
Breakout sound power LWA at Max speed [dB (A)]	56	RPM at Mid speed	2380
Breakout sound power LWA at Mid speed [dB (A)]	53,4	Sound power at extract side at Max speed LWA [dB (A)]	65,5
Breakout sound power LWA at Min speed [dB (A)]	48	Sound power at extract side at Mid speed LWA [dB (A)]	62,8
Breakout sound pressure at 3m at Max speed Lp [dB (A)]	35,5	Sound power at extract side at Min speed LWA [dB (A)]	57,2
Breakout sound pressure at 3m at Mid speed Lp [dB (A)]	32,9	Sound power at supply side at Max speed LWA [dB (A)]	64,8
Breakout sound pressure at 3m at Min speed Lp [dB (A)]	27,5	Sound power at supply side at Mid speed LWA [dB (A)]	62
Max airflow at Max speed (l/s)	322,2	Sound pressure at extract side at 3m at Max speed Lp [dB (A)]	48
Max airflow at Max speed (m ³ /h)	1160	Sound pressure at extract side at 3m at Mid speed Lp [dB (A)]	45,3
Max airflow at Max speed at 60 Hz (l/s)	336,1	Sound pressure at extract side at 3m at Min speed Lp [dB (A)]	39,7
Max airflow at Max speed at 60 Hz (m ³ /h)	1210	Sound pressure at suply side at 3m at Max speed Lp [dB (A)]	47,3
Max airflow at Mid speed (m ³ /h)	1045	Sound pressure at suply side at 3m at Mid speed Lp [dB (A)]	44,5
Max airflow at Mid speed at 60 Hz (l/s)	255,6	Sound pressure at suply side at 3m at Min speed Lp [dB (A)]	38,7

Dimensions



Size A (mm)	322,5
Size B (mm)	417,5
Size C (mm)	625,5
Size D (mm)	Ø
	194,5
Size E (mm)	195
Size F (mm)	363,5
Size G (mm)	190
Size H (mm)	120
Size L (mm)	155
Size M (mm)	Ø 5,5
Size N (mm)	510

PER INFORMAZIONI / FOR INFORMATION

ITALY

Pre Sales:
prevendita@vortice-italy.com
 After Sales:
postvendita@vortice-italy.com

UNITED KINGDOM & REP. OF

IRELAND
 Sales Dept:
sales@vortice.ltd.uk
 Technical Dept:
technical@vortice.ltd.uk

OTHER COUNTRIES

Sales Dept:
export@vortice-italy.com
 After Sales:
after-sales@vortice-italy.com

Technical Data Sheet

CODE 17164

LINEO 200 QUIET

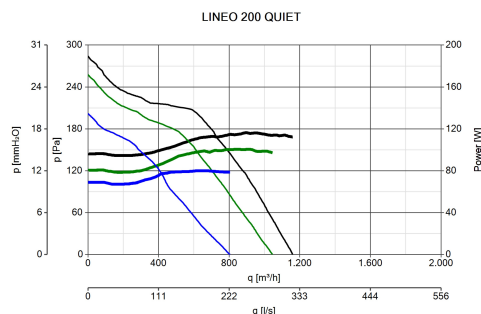
Sound-proof mixed flow extractor fans



Description

- Enclosures made of fire resistant plastic resin, E2 class, according with ISO EN 11925-2: 2010, in areas close to motor and electrical components.
- Casing integrating a sound-absorbing coating, optimized to minimize sound emissions radiated into the environment and transmitted through exhaust and supply ducts.
- Nominal diameter 200 mm.
- Induction motor, thermally protected, with shaft mounted on ball bearing supports, coupled with a centrifugal impeller.
- High water resistance: IPX5 (if installed in a duct).
- Speed adjustable through Vortice speed devices.

Curves



Accessories



C TEMP
Code 12992



C SMOKE
Code 12993



C HCS
Code 12994



C PIR
Code 12998



C TIMER
Code 12999



**KIT SCB
(TRASF.E.C.)**
Code 22481



**KIT SCB5
(TRASF.5 V.)**
Code 22483



**C 1.5
(COMANDO EL.
1.5 A)**

Code 12966

**C5 0.5
(COMANDO 5V
0.5 A)**

Code 12987

**TRIO-LINEO
503**

Code 12891

PER INFORMAZIONI / FOR INFORMATION

ITALY

Pre Sales:

prevendita@vortice-italy.com

After Sales:

postvendita@vortice-italy.com

UNITED KINGDOM & REP. OF

IRELAND

Sales Dept:

sales@vortice.ltd.uk

Technical Dept:

technical@vortice.ltd.uk

OTHER COUNTRIES

Sales Dept:

export@vortice-italy.com

After Sales:

after-sales@vortice-italy.com